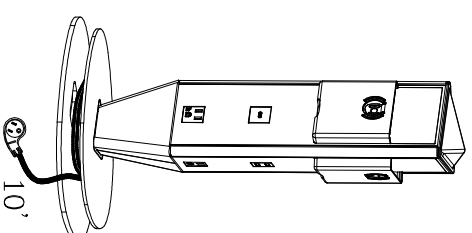
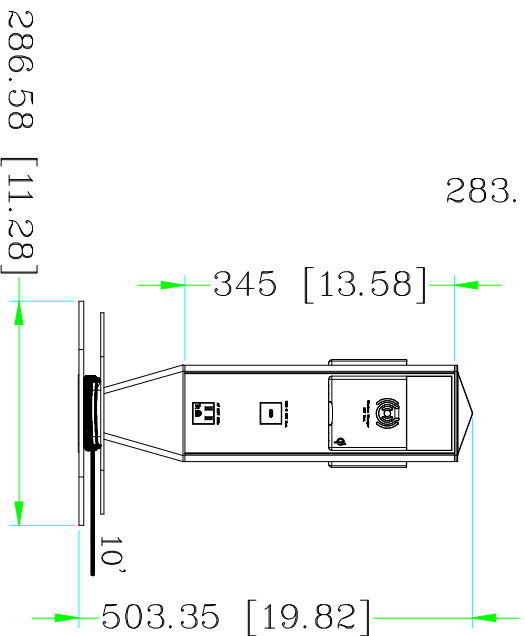


283.56 [11.16]



**SPECIFICATIONS**

- Scepter S: 19.82" Height
- Steel base with aluminum body
- Input ratings: 120C AC 60Hz, 12A
- 10' 14 AWG x 3C 45 plug braided power cord
- (3) AC 120V Tamper-Resistant outlets
- (3) Qi wireless rapid chargers
- (2) USB Type-A DC 5V charging modules (2 x 2.4A + 2 x 2.1A ports)
- (1) 60W USB Type-C charging port (PD and QC enabled, up to 20V, 3A)
- Wireless charging pockets with automatic alignment control
- UL and cUL certified

REV	DATE	DRAWN	APPROVED	DESCRIPTION											
<p><b>MOD</b> POWER SOLUTIONS www.MOD-PLS.com</p>				<p>TOLERANCE (mm [INCH])</p> <table border="1"> <tr> <td>[mm]</td> <td>[INCH]</td> </tr> <tr> <td>X ±2.5</td> <td>XX ±0.1</td> </tr> <tr> <td>XX ±0.8</td> <td>XXX ±0.03</td> </tr> <tr> <td>XXX ±0.25</td> <td>XXXX ±0.010</td> </tr> </table>		[mm]	[INCH]	X ±2.5	XX ±0.1	XX ±0.8	XXX ±0.03	XXX ±0.25	XXXX ±0.010	<p>DRAWN YGY DATE Apr.11th 2023</p> <p>CHECKED JBX DATE Apr.11th 2023</p> <p>APPROVED DATE</p>	
[mm]	[INCH]														
X ±2.5	XX ±0.1														
XX ±0.8	XXX ±0.03														
XXX ±0.25	XXXX ±0.010														
SCALE	VIEW	UNIT	SHEET	DRAWING#		REV									
1:10		mm[INCH]	1 OF 1	C-DK1600220318001		A									