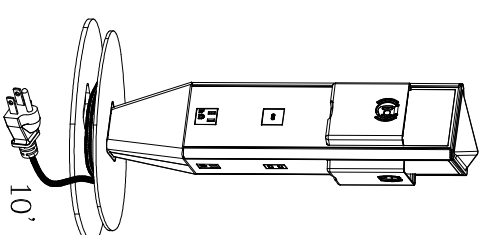
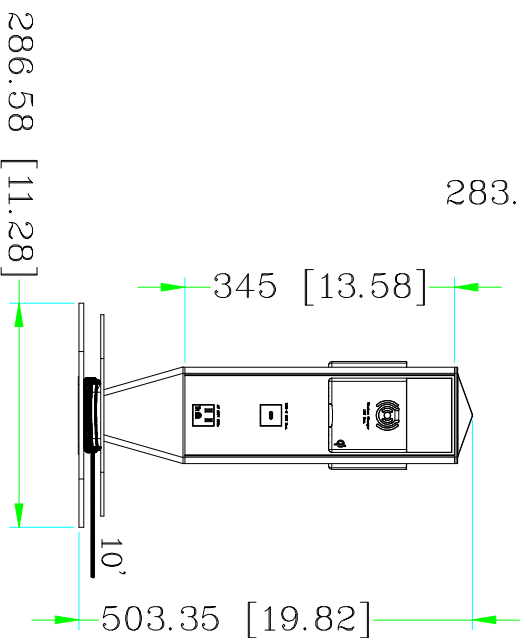


283.56 [11.16]



SPECIFICATIONS

- Scepter S: 19.82" Height
- Steel base with aluminum body
- Input ratings: 120C AC 60Hz, 12A
- 10' 14 AWG x 3C Straight plug braided power cord
- (3) AC 120V Tamper-Resistant outlets
- (3) Qi wireless rapid chargers
- (2) USB Type-A DC 5V charging modules (2 x 2.4A + 2 x 2.1A ports)
- (1) 60W USB Type-C charging port (PD and QC enabled, up to 20V, 3A)
- Wireless charging pockets with automatic alignment control
- UL and cUL certified

REV	DATE	DRAWN	APPROVED	DESCRIPTION																			
<p style="text-align: center;">MOD POWER & LIGHTING SOLUTIONS www.MOD-PLS.com</p>				<p style="text-align: center;">TOLERANCE (mm [INCH])</p> <table border="1"> <thead> <tr> <th>[mm]</th> <th>[INCH]</th> </tr> </thead> <tbody> <tr> <td>X ±2.5</td> <td>XX ±0.1</td> </tr> <tr> <td>XX ±0.8</td> <td>XXX ±0.03</td> </tr> <tr> <td>XXX ±0.25</td> <td>XXXX ±0.010</td> </tr> </tbody> </table>		[mm]	[INCH]	X ±2.5	XX ±0.1	XX ±0.8	XXX ±0.03	XXX ±0.25	XXXX ±0.010	<p style="text-align: center;">DRAWN</p> <table border="1"> <thead> <tr> <th>CHECKED</th> <th>DATE</th> </tr> </thead> <tbody> <tr> <td> </td> <td>Apr.11th 2023</td> </tr> </tbody> </table>		CHECKED	DATE		Apr.11th 2023	<p style="text-align: center;">DATE</p> <table border="1"> <thead> <tr> <th>DATE</th> </tr> </thead> <tbody> <tr> <td>Apr.11th 2023</td> </tr> </tbody> </table>		DATE	Apr.11th 2023
[mm]	[INCH]																						
X ±2.5	XX ±0.1																						
XX ±0.8	XXX ±0.03																						
XXX ±0.25	XXXX ±0.010																						
CHECKED	DATE																						
	Apr.11th 2023																						
DATE																							
Apr.11th 2023																							
SCALE	VIEW	UNIT	SHEET	DRAWING#		REV																	
1:10		mm[INCH]	1 OF 1	C-DK1600220318005	A																		