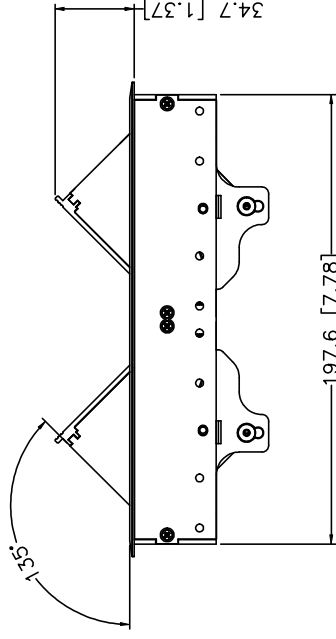
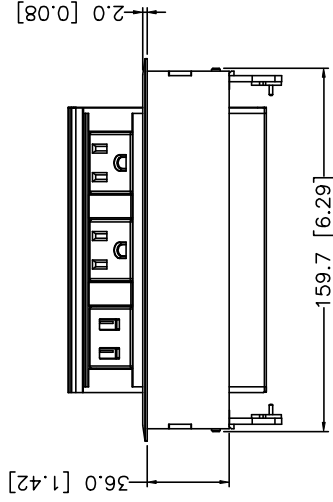


INACTIVE STATE



SPECIFICATIONS:

- Dual sided DOCK-700
- Aluminum housing, anodized satin finish
- Overload protection
- 10' SJT 14AWGx3C power cord-4 X grounded AC 125V receptacles with total of 15A max.output
- Side 1: - 2 X grounded AC 125V receptacles
 - USB charger with 2 DC 5V charging ports, 4.2A Max output
- Side 2: - 2 X grounded AC 125V receptacles
 - USB charger with 2 DC 5V charging ports, 4.2A Max output

REV	DATE	DRAWN	APPROVED	DESCRIPTION					
				TOLERANCE (mm [INCH])		DRAWN	YCY	DATE	Apr. 6th 2023
				[mm]	[INCH]	CHECKED	JBX	DATE	Apr. 6th 2023
				X. ±2.5	X.X ±0.1	APPROVED		DATE	
				X.X ±0.8	X.XX ±0.03		PN	DOCK704-20000X-OX-12D-SA	
				X.XX ±0.25	X.XXX ±0.010		SHEET		REV
				SCALE	VIEW	UNIT	DRAWING#		B
				1:1	mm[INCH]	1 OF 1	C-D720180928003		

