



POWER & LIGHTING
SOLUTIONS

Powered By National Lighting®

DOCK-1010-STT INSTALLATION INSTRUCTIONS

Model: TVP21100-152-STT-4.5AC-TR

Rating: 125V 60Hz 15A

Output: Two 125V AC tamper resistant power outlets, one 5V DC 2.1A USB-A port,
one 5V DC 2.4A USB-C port

CAUTION:

To prevent the risk of fire and electric shock, please be sure to read all instructions before installing or using this unit.

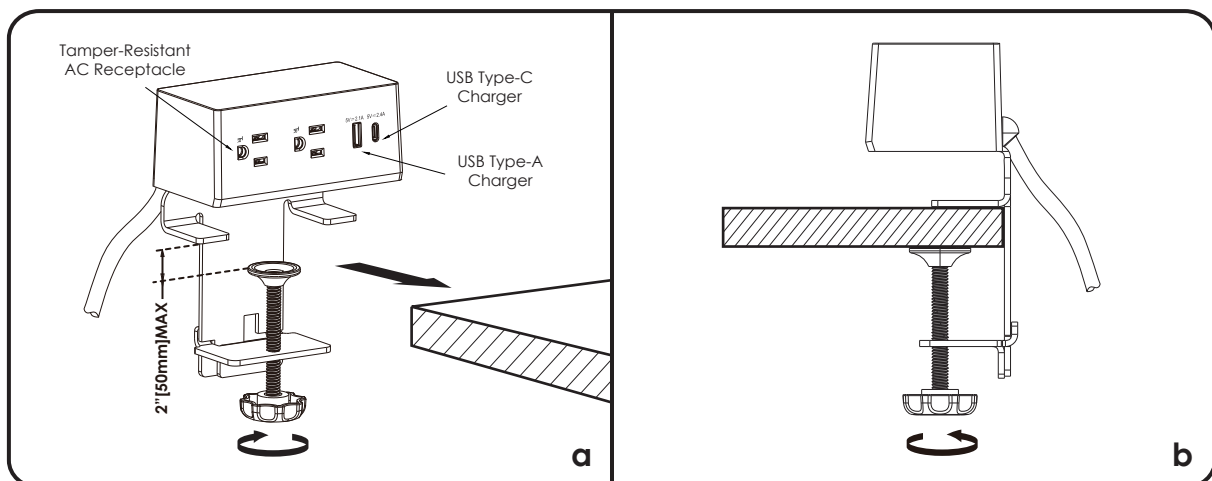
WARNING:

To reduce the risk of fire, electric shock or injury to person:

- For indoor use only
- Do not use with extension cord(s)
- Do not plug a device or devices into receptacles that exceed a total of 15A (1800 watts)
- Do not open or attempt to open the unit for any reason

INSTALLATION:

- Turn the thumb screw on the mounting bracket counterclockwise to open the clamp. (When applicable) detach the lower bracket by tilting it upward. The mounting bracket is compatible with tabletop thicknesses up to 2" (50mm).
- Sit the top mounting bracket on the edge of the mounting surface and re-attach the lower mounting bracket. Turn the thumb screws clockwise until the bracket is fully secured.
- Plug the power cord into the nearest wall outlet. Do not use extension cords.



This device complies with part 15 of the FCC Rules. Operation is subject to the following two conditions: (1) This device may not cause harmful interference, and (2) this device must accept any interference received, including interference that may cause undesired operation.

CAUTION: Changes or modifications not expressly approved by the party responsible for compliance could void the user's authority to operate the equipment.

Note: This equipment has been tested and found to comply with the limits for a Class B digital device, pursuant to part 15 of the FCC Rules. These limits are designed to provide reasonable protection against harmful interference in a residential installation. This equipment generates, uses and can radiate radio frequency energy and, if not installed and used in accordance with the instructions, may cause harmful interference to radio communications. However, there is no guarantee that interference will not occur in a particular installation. If this equipment does cause harmful interference to radio or television reception, which can be determined by turning the equipment off and on, the user is encouraged to try to correct the interference by one or more of the following measures:

- Reorient or relocate the receiving antenna.
- Increase the separation between the equipment and receiver.
- Connect the equipment into an outlet on a circuit different from that to which the receiver is connected.
- Consult the dealer or an experienced radio/TV technician for help.

For further assistance, please contact MOD Corp. at +1(888) 428-6886