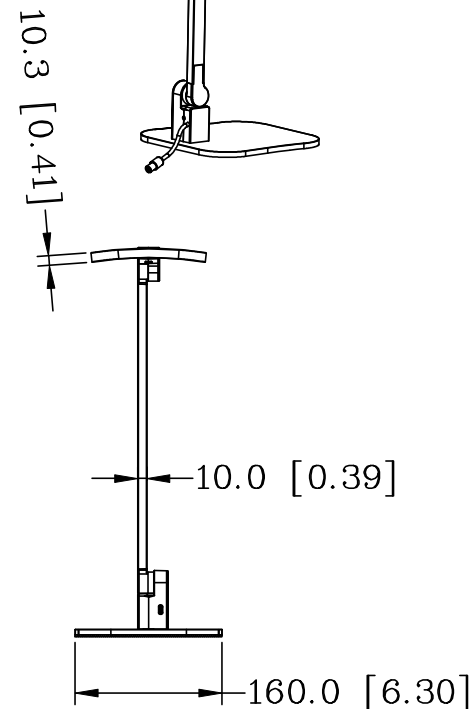
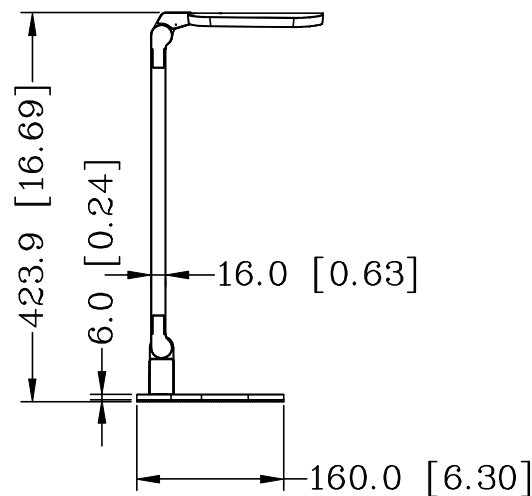


SPECIFICATIONS

- Color Temperature settings: 2,500K-6,500K
- Lumen output: 600 lumen max.
- 4 pivot points for customized light coverage
- Power input: AC 100V-240V power adapter with DC 24V 1A output
- Three illuminated user-status indicators
- Automatically turn off the light when no motion is detected within 20 minutes
- Automatically turn off the light after 10 hours
- Built-in USB charger 5V 1.5A max.



Button Functions

T1:ON/OFF(tap)

Five-Stage Dimming (touch and hold)

T2:Five color temperature adjustment (tap)

Infinite color temperature adjustment (touch & hold)

REV	DATE	DRAWN	APPROVED	DESCRIPTION							
				TOLERANCE (mm [INCH])		DRAWN	YGY	DATE	Jan.19th 2026		
				[mm]		[INCH]		CHECKED	JBX	DATE	Jan.19th 2026
				X	±2.5	XX	±0.1	APPROVED		DATE	
				XX	±0.8	XXX	±0.03				
				XX	±0.25	XXX	±0.010	PN	TL-621-DT		
SCALE		VIEW		UNIT	SHEET	DRAWING#		REV			
1:1				mm[INCH]	1 OF 1	C-TL6211260309001		Qb			