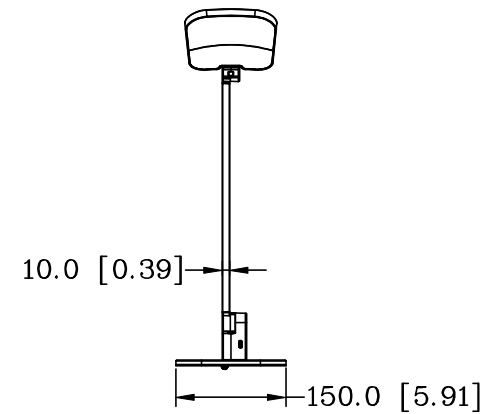
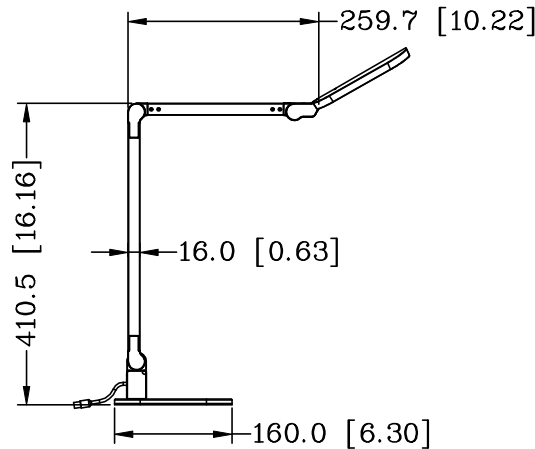
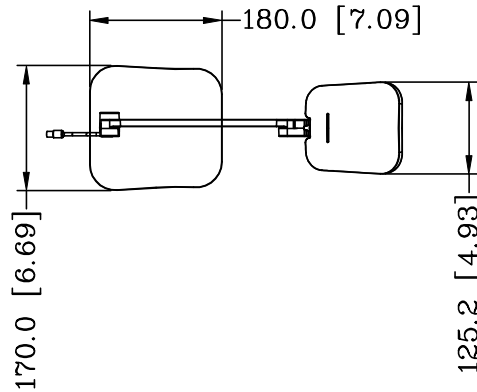
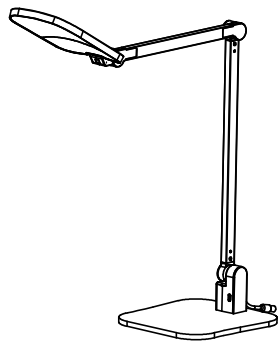


TL-631

Key Features:

- Color Temperature: 2,700 - 6,500K
- Lumen output: 600 lumen max.
- Glare, flicker, shadow, and UV free
- Adjustable arm for maximized light coverage
- Built-in USB charger 5V 1.5A max.
- Power input: AC 100-240V power adapter with DC 24V 1 A output
- Three types of atmosphere indicators
- Delay for 15 minutes to close without motion activated
- Standby memory with power outage
- T1:ON/OFF(short press)  
 Five-Stage Dimming(long press)
- T2:Five-stage color temperature adjustment(short press)  
 Infinite color temperature adjustment(long press)
- Finish Option: Silver finish



REV	DATE	DRAWN	APPROVED	DESCRIPTION					
<p><b>MOD</b><sup>®</sup> POWER &amp; LIGHTING SOLUTIONS www.MOD-PLS.com</p>				TOLERANCE (mm [INCH])		DRAWN	YGY	DATE	Jan.9th 2025
				[mm]	[INCH]	CHECKED	JBX	DATE	Jan.9th 2025
				X ±2.5	XX ±0.1	APPROVED		DATE	
				XX ±0.8	XXX ±0.03	PN TL-631-DT-GP			
				XXX ±0.25	XXX ±0.010				
SCALE	VIEW	UNIT	SHEET	DRAWING#		REV			
1:1		mm[INCH]	1 OF 1	C-TL631250109003		Qa			