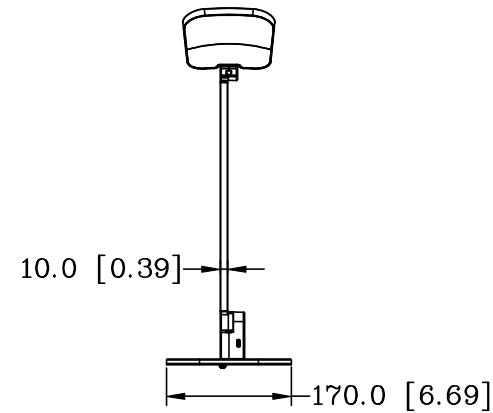
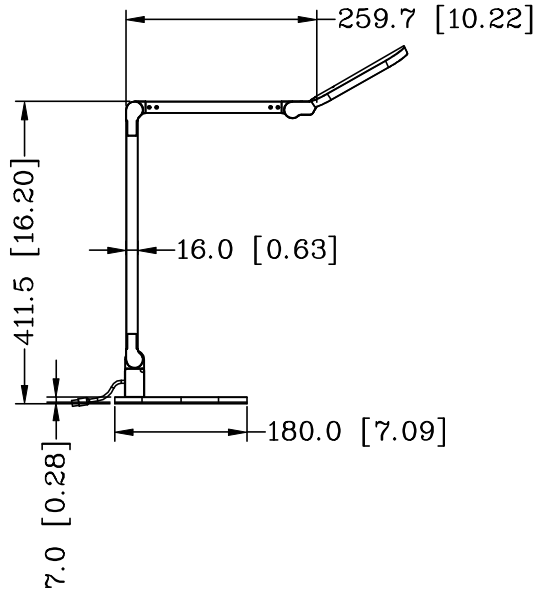


SPECIFICATIONS

- Color Temperature settings: 2,700 - 6,500K
- Lumen output: 600 lumen max.
- Extended adjustable arm for maximized light coverage
- Power input: AC 100-240V power adapter with DC 24V 1A output
- Three illuminated user-status indicators
- Automatically turn off the light when no motion is detected within 20 minutes
- Automatically turn off the light after 10 hours
- Built-in USB charger 5V 1.5A max.

Button Functions

- T1:ON/OFF(tap)
- Five-Stage Dimming (touch and hold)
- T2:Five color temperature adjustment (tap)
- Infinite color temperature adjusement (touch & hold)



Qb	Jul.24th 2025	YGY	JBX	Changing ① Size							
REV	DATE	DRAWN	APPROVED	DESCRIPTION							
				TOLERANCE (mm [INCH])		DRAWN	YGY	DATE	Jan.9th 2025		
				[mm]		[INCH]		CHECKED	JBX	DATE	Jan.9th 2025
				X	±2.5	XX	±0.1	APPROVED		DATE	
				XX	±0.8	XXX	±0.03				
				XXX	±0.25		±0.010	PN	TL-631-DT		
SCALE	VIEW	UNIT	SHEET	DRAWING#			REV				
1:1		mm[INCH]	1 OF 1	C-TL631250109002			Qb				