

Model: DOCK-1035 / 1045

Input: 125VAC 60Hz 15A

Output:

- (6) Tamper-Resistant AC outlets,
- (2) USB Type A charging Ports: 1 x 2.4A and 1 x 2.1A
- (1) USB Type C charging Port: 60 watts Max.
(PD and QC compatible with 20V, 3A Max. Charging power)
- (1) 5VDC output for reading light (reserved for optional use)

Data Couplers:

- (1) USB 3.0 pass-through coupler
- (1) RJ45 Ethernet pass-through coupler
- (1) 3.5mm Mic and headphone pass-through coupler

CAUTION:

To prevent the risk of fire and electric shock, please be sure to read all instructions before installing or using this unit.

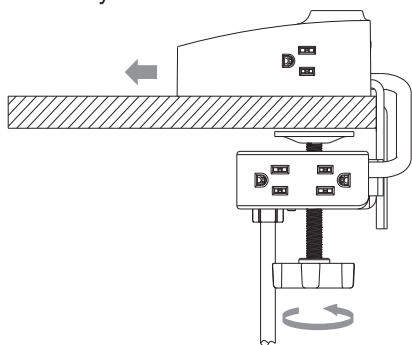
WARNING:

To reduce the risk of fire, electric shock or injury to person:

- For indoor use only
- Do not plug a device or devices into receptacles that exceed a total of 15A (1800 watts)
- Do not use with extension cord(s)
- Do not open or attempt to open unit for any reason

INSTALLATION:

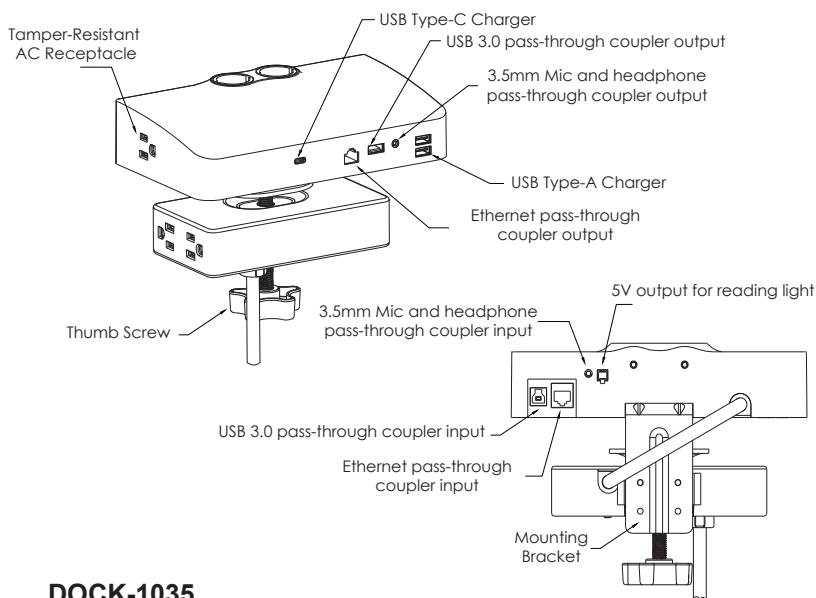
- a. The unit is compatible with National Lighting MA-02 (with DOCK-1035), MA-01 (with DOCK-1045) and some other monitor arms with 0.98" (25 mm) outer-diameter mounting post [Max supported weight: 19.8 lbs (9.0kg) each arm].
- b. Turn the thumb screw on the mounting bracket counterclockwise to open the clamp. Using the thumb screw to adjust the width as it fits the thickness of the tabletop. The mounting bracket is compatible with tabletop thicknesses up to 2-3/4" (70.0mm).
- c. Slide mount onto the edge of the work surface and turn the thumb screws clockwise until the bracket is fully secured.



- d. Remove the set screw at the behind of the dock using the hex key. Insert the monitor arm into the slot facing up on the dock and tighten the set screw when the arm is at desired position.
- e. Follow the monitor installation instructions to mount the monitor(s) to the arm(s).
- f. Plug in the power cord to a nearest wall outlet. Do not use extension cord(s).

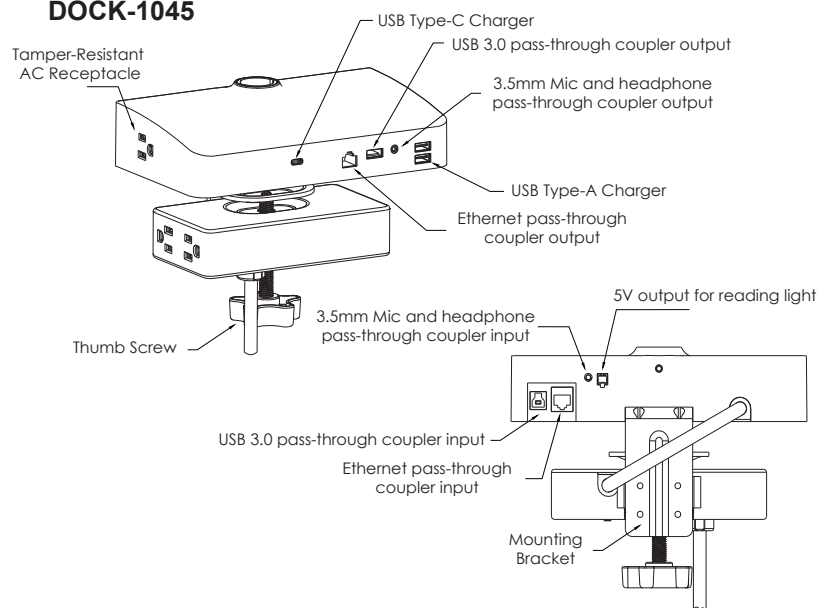
OPERATION:

Please follow the illustration below for connections.



DOCK-1035

DOCK-1045



For further assistance, please contact National Lighting Corp. at +1(888) 428-6886