

DOCK-1050 INSTALLATION INSTRUCTIONS

Model: DOCK-1050

Input: 125VAC 60Hz 15A

Output: (2) Tamper-Resistant AC outlets

(1) USB Type-A Port: 18W

(1) USB Type-C Port: 45W

CAUTION:

To prevent the risk of fire and electric shock, please be sure to read all instructions before installing or using this unit.

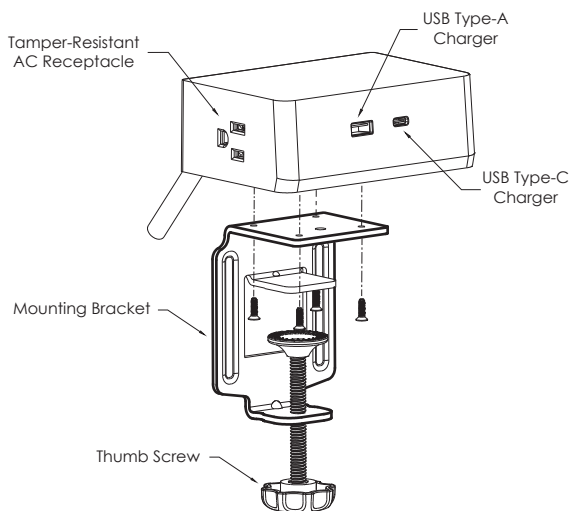
WARNING:

To reduce the risk of fire, electric shock or injury to person:

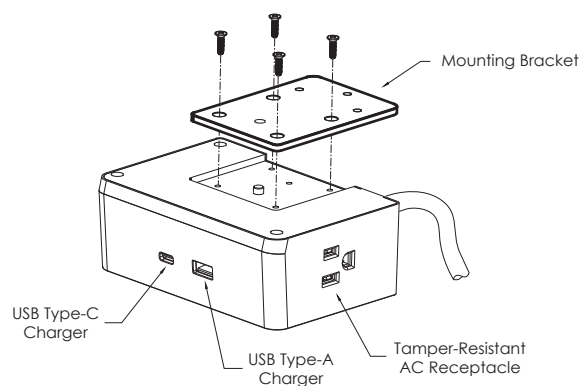
- For indoor use only
- Do not use with extension cord(s)
- Do not plug a device or devices into receptacles that exceed a total of 15A (1800 watts)
- Do not open or attempt to open the unit for any reason

INSTALLATION:

- Attach the mounting bracket to the dock by using four Phillips screws (included).
- For table-top mounting options, turn the thumb screw on the mounting bracket counterclockwise to open the clamp. Using the thumb screw to adjust the width as it fits the thickness of the tabletop. The mounting bracket is compatible with tabletop thickness up to 1-3/4" (45mm).
- For under-table mounting option, place the dock under table at desired position, then using three self-tapping or wood screws to secure the dock to the table (Screws not included).
- Insert the power plug into a grounded outlet



TT: Table-Top



UT: Under-Table

For further assistance, please contact National Lighting Corp. at +1(888) 428-6886