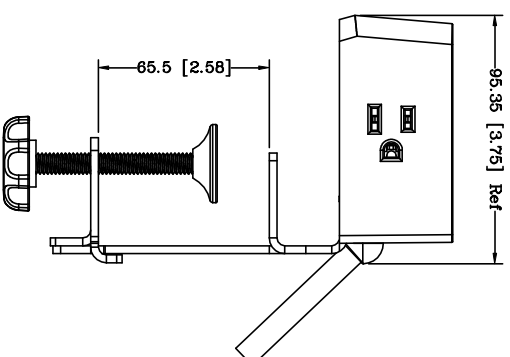
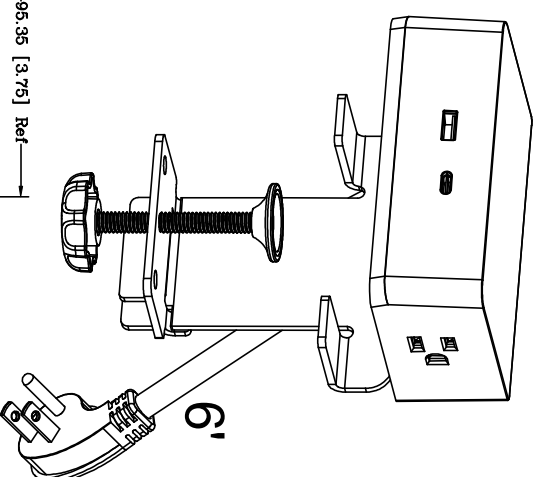
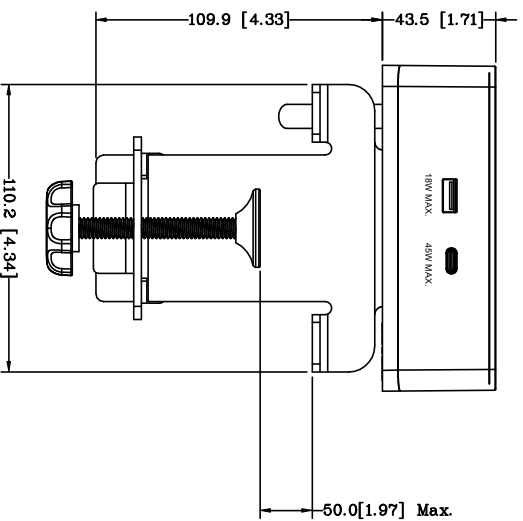
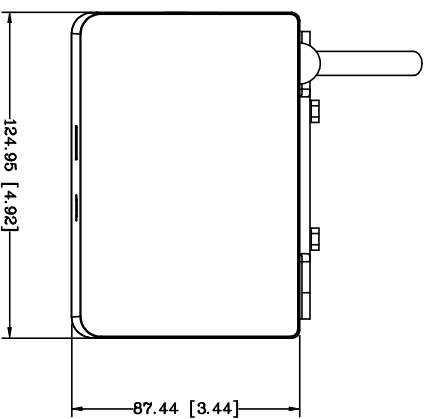


- Specifications:**
- (2) Tamper resistant AC Outlets
  - (1) USB Type-A charging port, 18W Max.
  - (1) USB Type-C charging port, 45W Max.
  - 6' SJT 14AWG\*3C power cord
  - Rating: AC 125V 60Hz 15A
  - Table Top (STT) mounting bracket included



REV	DATE	DRAWN	APPROVED	DESCRIPTION							
				TOLERANCE (mm [INCH])							
				[mm]	[INCH]	[mm]	[INCH]	DRAWN	YGY	DATE	Jul.30th 2021
				X ±2.5	X.X ±0.1	X.XX ±0.08	X.XXX ±0.03	CHECKED	JBX	DATE	Jul.30th 2021
				X.XX ±0.25	X.XXX ±0.010			APPROVED		DATE	
				SCALE	VIEW	UNIT	SHEET	PN	DOCK-1050-STT		
				1:1		mm [INCH]	1 OF 1	DRAWING#			REV
				C-DOCK1050STT210730001							A

**National Lighting®**  
www.nationallighting.com