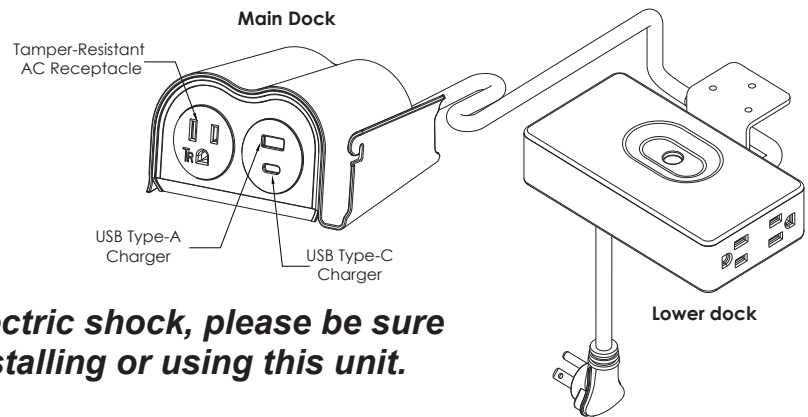


DOCK-1065 INSTALLATION INSTRUCTIONS

Model: DOCK-1065

Input: 125VAC 60Hz 15A

Output: (5) Tamper-Resistant AC
 (1) USB Type-A Port: 18W
 (1) USB Type-C Port: 45W



CAUTION:

To prevent the risk of fire and electric shock, please be sure to read all instructions before installing or using this unit.

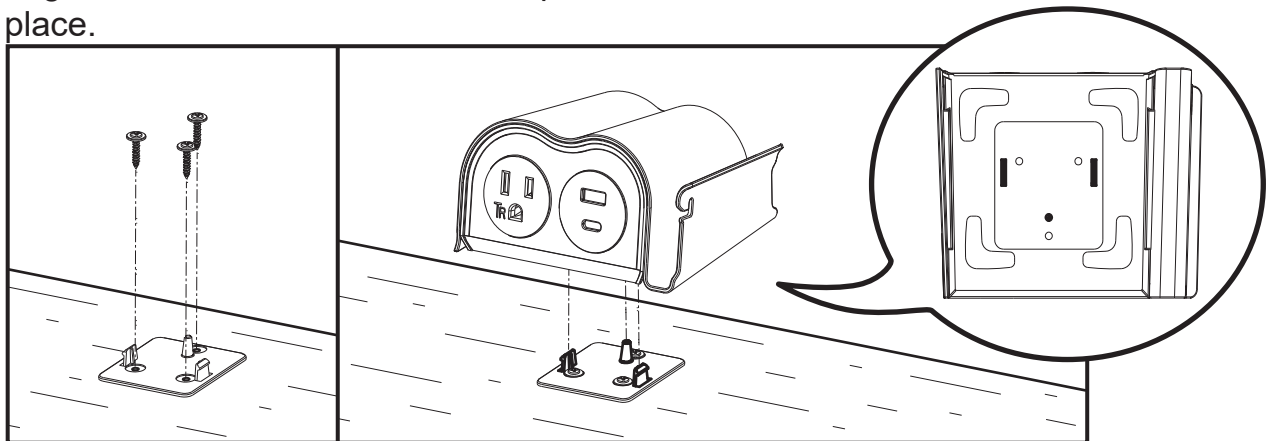
WARNING:

To reduce the risk of fire, electric shock or injury to person:

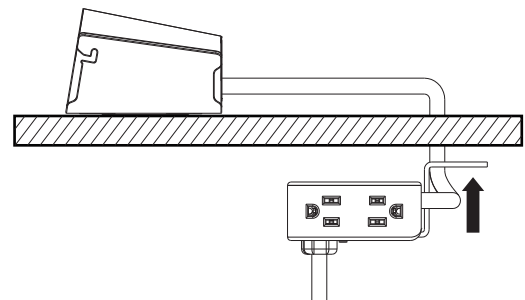
- For indoor use only
- Do not use with extension cord(s)
- Do not plug a device or devices into receptacles that exceed a total of 15A (1800 watts)
- Do not open or attempt to open the unit for any reason

INSTALLATION:

- a. - Place the bracket on the surface of the table with clips facing toward the front of the unit.
 - Attach the bracket onto the work surface using the three self-tapping screws (included).
 - Align the unit onto the bracket and press down until the unit clicks into place.



- b. Using three attached wood screws to mount the lower dock under table at desired position.



- c. Plug in the power cord to a nearest wall outlet. Do not use extension cord(s).

For further assistance, please contact National Lighting Corp. at +1(888) 428-6886