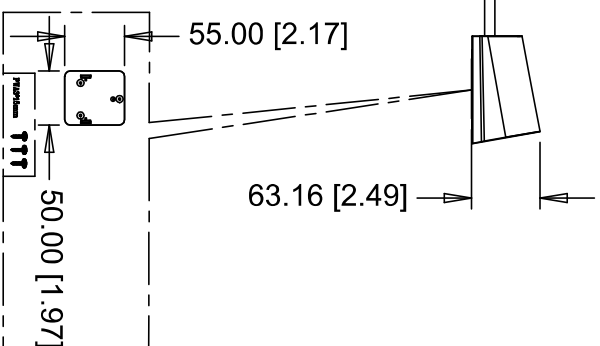
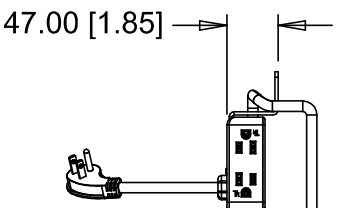
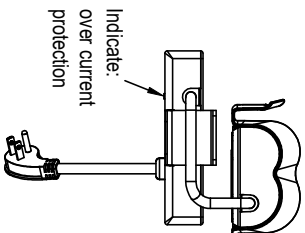
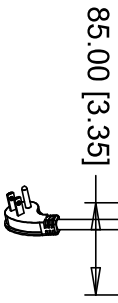
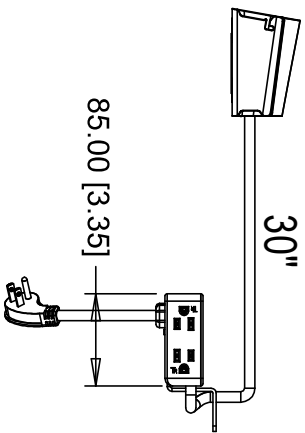
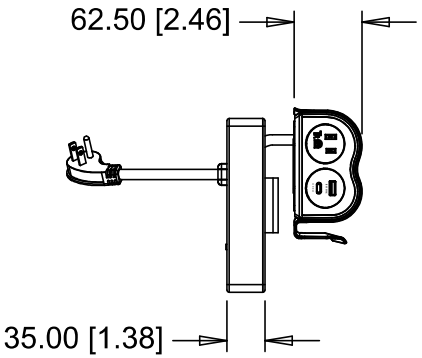


PA3.5*15

DOCK-10X5



Specifications:

- * (5) Tamper Resistant outlets
 - * (1) USB Type-A 18W MAX.
 - * (1) USB Type-C 45W MAX.
 - * OCP Protection
 - * 6' SJT 14AWG*3C Power cord
- Rating: 125V 60Hz 15A

REV	DATE	DRAWN	APPROVED	TOLERANCE (mm [INCH])		DESCRIPTION	
				[mm]	[INCH]	DRAWN	YGY DATE
				±0.25	±0.1	CHECKED	JBX DATE
				±0.8	±0.03	APPROVED	DATE
				±0.25	±0.010	PN	DOCK-1065
				SCALE	VIEW	UNIT	SHEET
				1:10		mm [INCH]	1 OF 1
				DRAWING#			REV
				C-DK1065210116001			B

National Lighting®

www.nationalighting.com