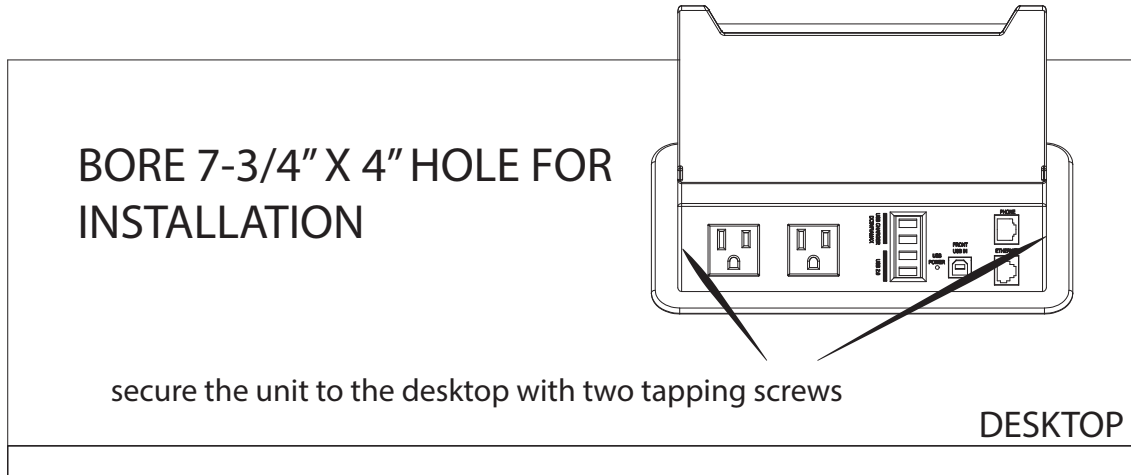


DOCK-650-2.1A INSTALLATION INSTRUCTIONS



SPECIFICATIONS

INPUT:	AC 120V/60Hz, 12A MAX.
AC 120V/60Hz RECEPTACLES:	2
USB 2.0 DATA PORTS:	2
USB 2.0 UPSTREAM PORTS:	FRONT (FOR LAPTOP) / BACK (FOR DESKTOP), AUTOSWITCHING
DC 5V USB CHARGERS:	2 (2.1 AMP TOTAL POWER)
PHONE COUPLER:	1
ETHERNET COUPLER:	1
POWER CORD:	MINIMUM 6 FT. 14 AWB X 3C

WARNING - DO NOT EXCEED THE MAXIMUM TOTAL CHARGING POWER OF DC 5V, 2.1A

