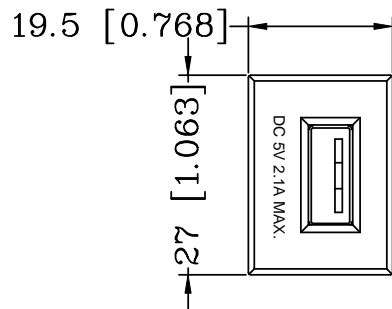
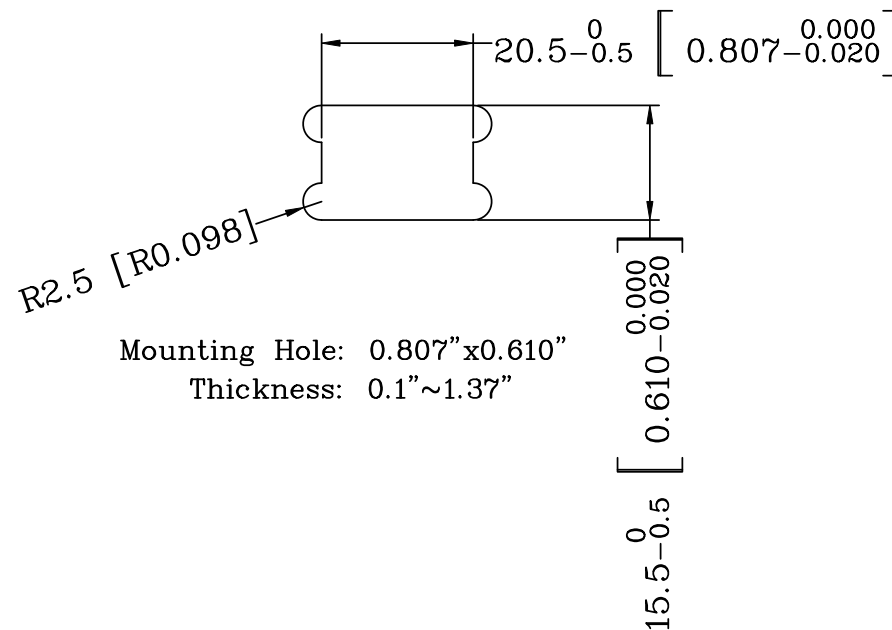
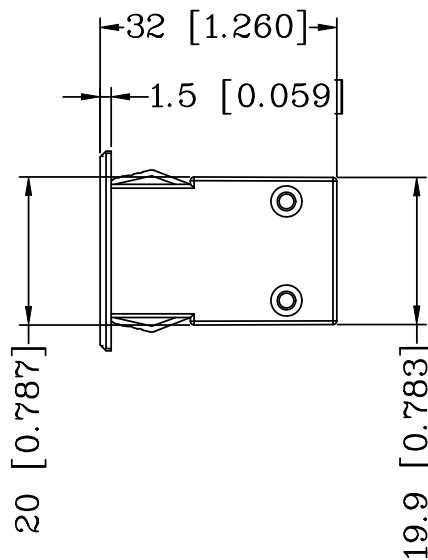


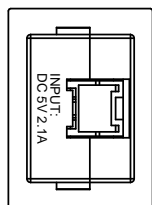
Input: DC 5V 2.1A
Output: DC 5V 2.1A


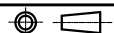


DC 5V 4.2A



Mounting Hole: 0.807"x0.610"
Thickness: 0.1"~1.37"



REV	DATE	DRAWN	APPROVED	DESCRIPTION
 National Lighting [®] www.nationallighting.net				TOLERANCE (mm [INCH]) [mm] [INCH] X ±2.5 XX ±0.1 XX ±0.8 XXX ±0.03 XXX ±0.25 XXXX ±0.010
				DRAWN MML DATE Mar.6th 2017 CHECKED JBX DATE Mar.6th 2017 APPROVED DATE PN DOCK110-XC-S
SCALE	VIEW	UNIT	SHEET	DRAWING#
1:1		mm[INCH]	1 OF 1	C-DK110-01
				REV A