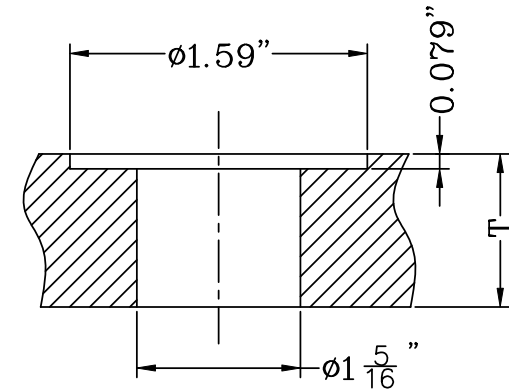
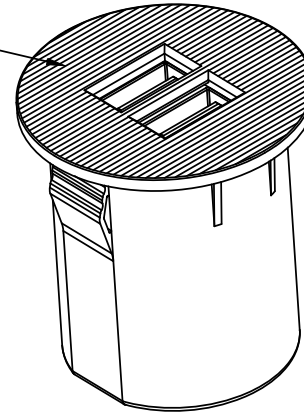
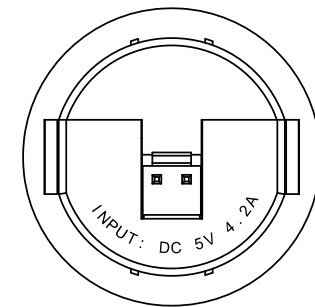
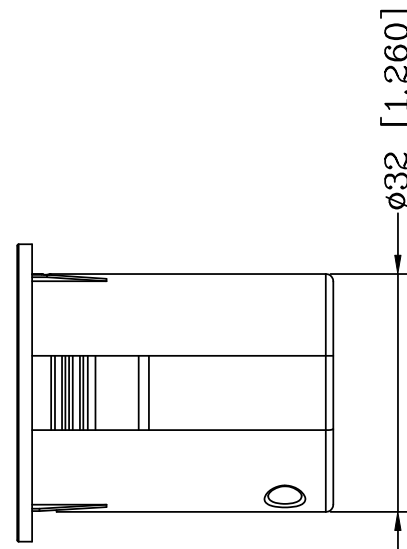
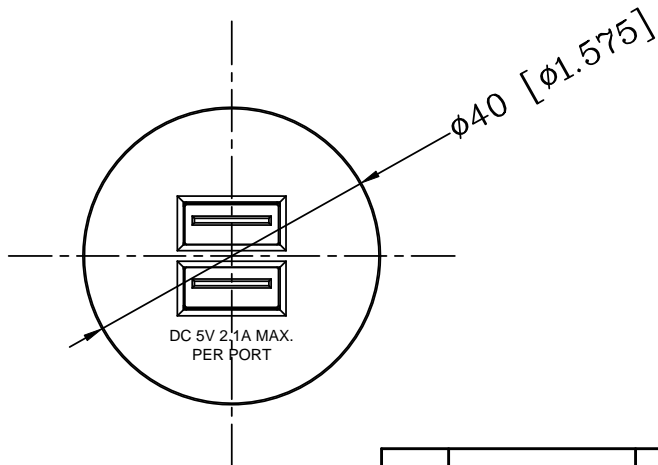


Brushed


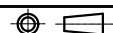


Mounting Hole
Thickness: 0.2"~2.0"



Input: DC 5V 4.2A

Output: DC 5V 2.1A(x2)

REV	DATE	DRAWN	APPROVED	DESCRIPTION					
 www.nationallighting.net				TOLERANCE (mm [INCH])		DRAWN	MML	DATE	Mar.19th 2017
				[mm]	[INCH]	CHECKED	JBX	DATE	Apr.18th 2017
				X ±2.5	XX ±0.1	APPROVED		DATE	
				XX ±0.8	XXX ±0.03	PN DOCK130-FC-B			
				XXX ±0.25	X XXX ±0.010	DRAWING#			
SCALE		VIEW		UNIT	SHEET	DRAWING#		REV	
1:2				mm[INCH]	1 OF 1	C-DK130-03		A	