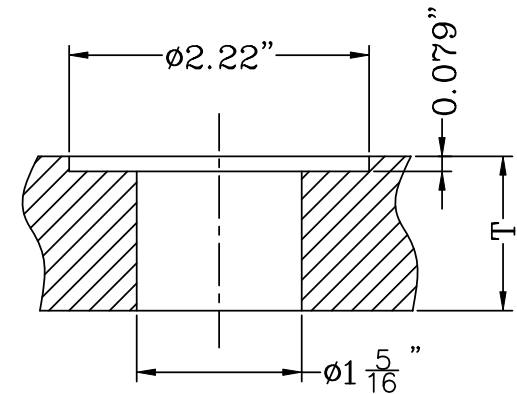
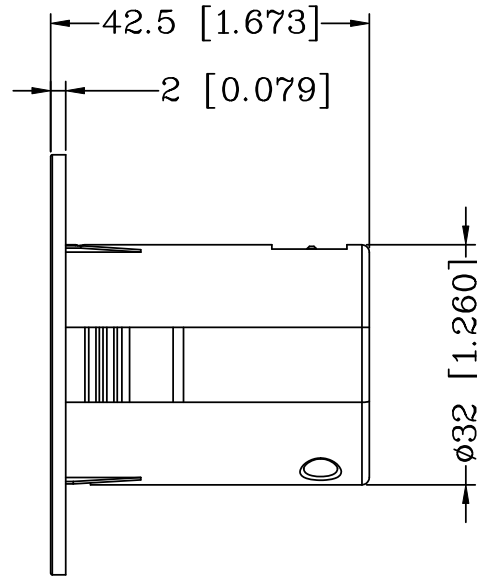
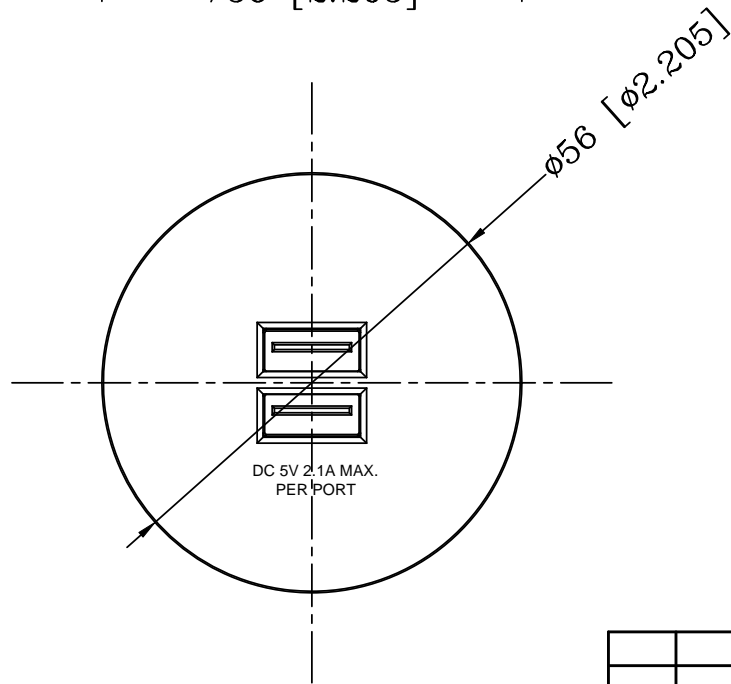
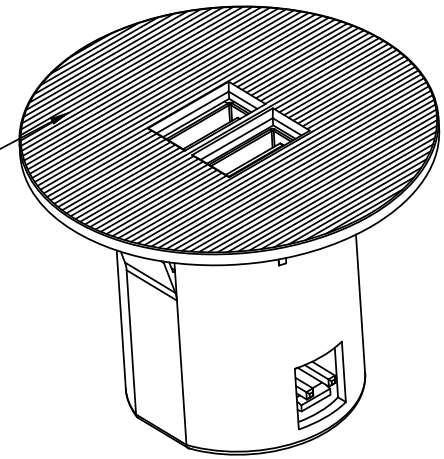


Brushed



Mounting Hole
Thickness: 0.2"~1.0"

Input: DC 5V 4.2A
Output: DC 5V 2.1A(x2)

REV	DATE	DRAWN	APPROVED	DESCRIPTION					
				TOLERANCE (mm [INCH])		DRAWN	MML	DATE	Mar.19th 2017
				[mm]	[INCH]	CHECKED	JBX	DATE	Mar.27th 2017
				X ±2.5	XX ±0.1	APPROVED		DATE	
				XX ±0.8	XXX ±0.03	PN	DOCK141-FC-B		
				XXX ±0.25	X.XXX ±0.010	DRAWING#		REV	
				SCALE	VIEW	UNIT	SHEET	DRAWING#	
				1:2	⊕	mm[INCH]	1 OF 1	C-DK141-01	B

National Lighting[®]

www.nationallighting.net