



INSTALLATION INSTRUCTIONS

Model: DOCK701-01000X-XX-12S

Rating: AC 125V, 60Hz, 12A

Output: One 125V AC power outlet, one Ethernet coupler

CAUTION:

To prevent the risk of fire and electric shock, please be sure to read all instructions before installing or using this unit.

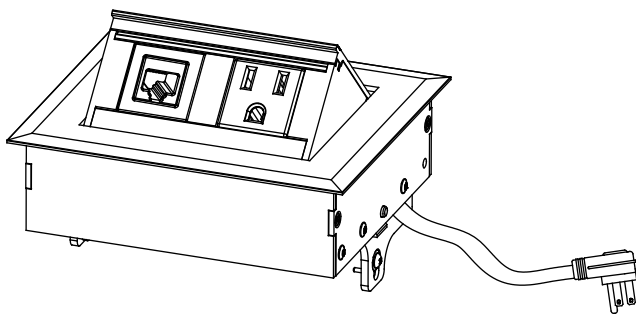
WARNING:

To reduce the risk of fire, electric shock or injury to persons

1. For indoor and dry location use only
2. Do not use with extension cord(s) to connect the unit
3. Do not install this device if there is not at least 10 meters (30 feet) or more of wire between the electrical outlet and the electrical service panel
4. Do not plug a device or devices into receptacles that exceed a total of 12A
5. Do not open or attempt to open the unit for any reason

MOUNTING:

1. Bore a 4.88" x 4.09" (124mm x 104mm) hole on the desktop for mounting.
2. Put the DOCK-700 unit into the hole.
3. Place the mounting brackets through the included thumb screw. Tighten the screw by hand or use 4mm hex wrench to secure the DOCK700 to the desktop.
4. Plug power cord to the nearest wall outlet. Make sure the wall outlet is properly grounded.



Note:

Please install a wire management clip (not supplied) for the Ethernet cable to leave enough play, and not interfere with the open/close movement of the dock.

This device complies with part 15 of the FCC Rules. Operation is subject to the following two conditions: (1) This device may not cause harmful interference, and (2) this device must accept any interference received, including interference that may cause undesired operation.

CAUTION: Changes or modifications not expressly approved by the party responsible for compliance could void the user's authority to operate the equipment.

Note: This equipment has been tested and found to comply with the limits for a Class B digital device, pursuant to part 15 of the FCC Rules. These limits are designed to provide reasonable protection against harmful interference in a residential installation. This equipment generates, uses and can radiate radio frequency energy and, if not installed and used in accordance with the instructions, may cause harmful interference to radio communications. However, there is no guarantee that interference will not occur in a particular installation. If this equipment does cause harmful interference to radio or television reception, which can be determined by turning the equipment off and on, the user is encouraged to try to correct the interference by one or more of the following measures:

- Reorient or relocate the receiving antenna.
- Increase the separation between the equipment and receiver.
- Connect the equipment into an outlet on a circuit different from that to which the receiver is connected.
- Consult the dealer or an experienced radio/TV technician for help.

Please contact with National Lighting Corp. at (888) 428-6886 for assistance if any question occurs during installation.