



INSTALLATION INSTRUCTIONS

Model: DOCK8S6-211110-XX-152-BK/SA

Rating: AC 125V, 60Hz, 15A

Output: Six 125V AC power outlets, 5V DC 4.2A USB charger with 4 x 2.1A charging ports, One Ethernet coupler, One Phone coupler, One HDMI coupler, One VGA coupler.

CAUTION:

To prevent the risk of fire and electric shock, please be sure to read all instructions before installing or using this unit.

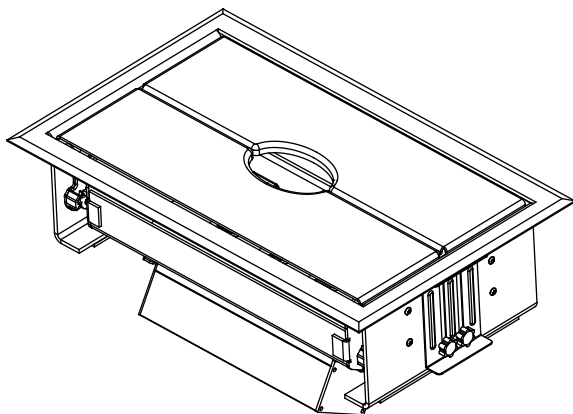
WARNING:

To reduce the risk of fire, electric shock or injury to persons

1. For indoor and dry location use only.
2. Do not use with extension cords.
3. Do not install this device if there is not at least 10 meters (30 feet) or more of wire between the electrical outlet and the electrical service panel.
4. Do not plug a device or devices into receptacles that exceed a total of 15A.
5. Do not open or attempt to open the unit for any reason.

MOUNTING:

1. Cut a 13.94"X8.90" (354mmX226mm) hole on the mounting surface.
2. Set the DOCK-800 unit into the hole.
3. Place the mounting brackets through the included thumb screws. Tighten the screws to secure the DOCK-800 to the desktop. Do not over-tighten the screws.
4. Plug power cord to the nearest wall outlet. Make sure the wall outlet is properly grounded.



Note:

Please install wire management clips (not supplied) for the Ethernet, Phone, HDMI or VGA cable to release the tensions on the cables and couplers.

Please contact with National Lighting Corp. at (562) 921-0056 for assistance.