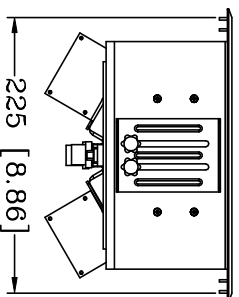
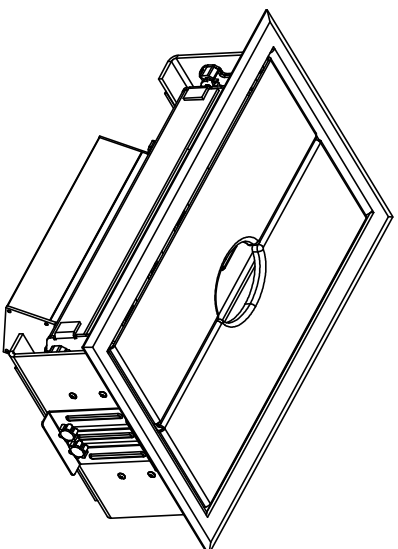
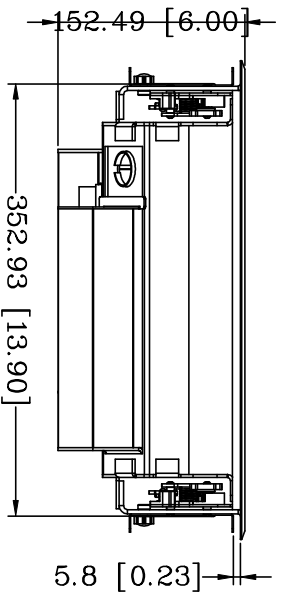
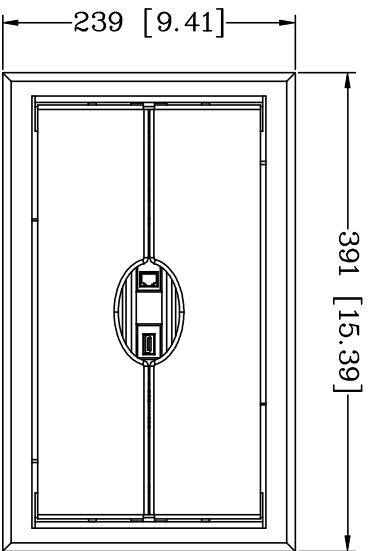


SPECIFICATIONS & FEATURES



- STYLISH ALUMINUM HOUSING
- 120V AC RECEPTACLES AND DC 5V 4.2A CHARGING MODULES ON EACH SIDE OF THE PRODUCT
- 10 FT 14 AWGX3C SJT POWER CORD, 15A MAX
- DATA AND MEDIA COUPLERS: RJ45 CAT.6 ETHERNET, RJ11 PHONE, HDMI AND VGA

REV	DATE	DRAWN	APPROVED	DESCRIPTION									
				TOLERANCE (mm [INCH]) X [mm] ±2.5 XX [mm] ±0.8 XXX [mm] ±0.25				[INCH] XX ±0.1 XXX ±0.03 XXXX ±0.010					
SCALE		VIEW		UNIT		SHEET		DRAWN		YGY		DATE	
1:1				mm[INCH]		1 OF 1						Dec.22th 2016	
www.nationallighting.net				CHECKED		APPROVED		PN		DATE		REV	
								DOCK8S6-211110-XX-152		DRAWING#		A	
								C-DB-0001					



SPECIFICATIONS & FEATURES

- STYLISH ALUMINUM HOUSING
- 120V AC RECEPTACLES AND DC 5V 4.2A CHARGING MODULES ON EACH SIDE OF THE PRODUCT
- 10 FT 14 AWGX3C SJT POWER CORD, 15A MAX
- DATA AND MEDIA COUPLERS: RJ45 CAT.6 ETHERNET, RJ11 PHONE, HDMI AND VGA

REV	DATE	DRAWN	APPROVED	DESCRIPTION			
 www.nationallighting.net				TOLERANCE (mm [INCH]) X ±2.5 XX ±0.8 XXX ±0.25		[mm] X ±0.1 XX ±0.08 XXX ±0.010	
SCALE	VIEW	UNIT	SHEET	DRAWN	YGY	DATE	Dec.22th 2016
1:1		mm[INCH]	1 OF 1	CHECKED	JBX	DATE	Dec.22th 2016
				APPROVED		DATE	
				PN	DOCKRS6-211110-XX-152	REV	
				DRAWING#			
				C-D6-0001		REV	A