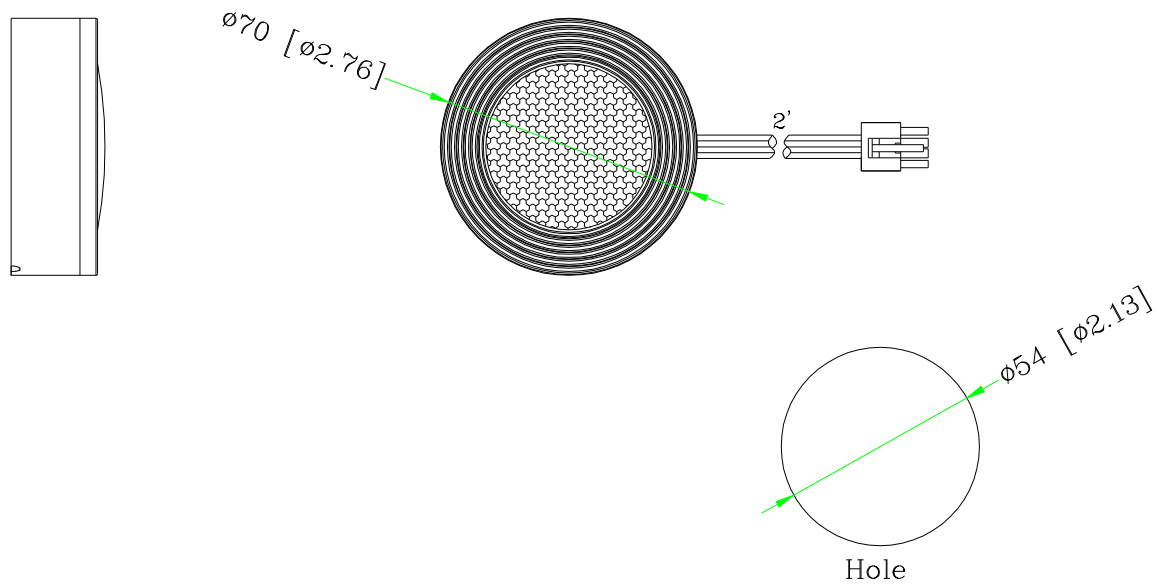

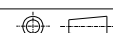


Part No.	Voltage	Wattage	Lumen	Color
LEDP-060RGB	DC 12V	2W	50-150Lm	RGB



Specifications:

- * RGB color changing puck
- * Dimmable
- * Lifespan: up to 50,000 hours
- * Can be surface mounted or recess mounted

REV	DATE	DRAWN	APPROVED	DESCRIPTION								
				TOLERANCE (mm [INCH])		DRAWN	YGY	DATE	Jun.22th 2018			
 www.nationallighting.com				[mm]		[INCH]		CHECKED	JBX	DATE	Jun.22th 2018	
				X	±2.5	X.X	±0.1	APPROVED		DATE		
				X.X	±0.8	X.XX	±0.03	PN		LEDP-060-RGB		
				X.XX	±0.25	X.XXX	±0.010	SCALE	VIEW	UNIT	SHEET	DRAWING#
				1:2		mm[INCH]	1 OF 1	C-06020180622002		REV	A	