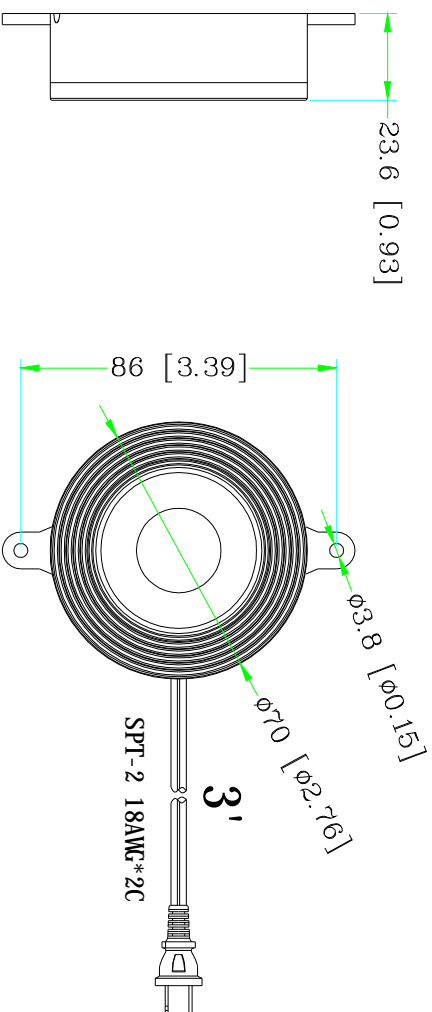





Part No.	Voltage	Wattage	Lumen	Color
LEDP-100WW-103SN	AC120V	2.5 W	130Lm	3000K
LEDP-100WW-103BK		2.5 W	130Lm	3000K
LEDP-100WH-103SN		2.5 W	150Lm	6000K
LEDP-100WH-103BK		2.5 W	150Lm	6000K



Specifications:

- * No transformer required
- * Dimmable
- * Linkable
- * Available in black
- * Can be surface mounted or recess mounted
- * Lifespan: up to 50,000 hours
- * UL & cUL certified for use in USA and Canada

REV	DATE	DRAWN	APPROVED	DESCRIPTION			
 www.nationallighting.com				TOLERANCE (mm [INCH]) [mm] ±2.5 X ±0.8 XX ±0.25 XXX [INCH] ±0.1 XX ±0.03 XXX ±0.010 XXXX			
SCALE	VIEW	UNIT	SHEET	DRAWN			
1:2		mm [INCH]	1 OF 1	CHECKED	YGY	DATE	Jun.22th 2018
				APPROVED	JBX	DATE	Jun.22th 2018
				PN	LEDP-100 Series		
				DRAWING#			REV
				C-P10020180622001			A