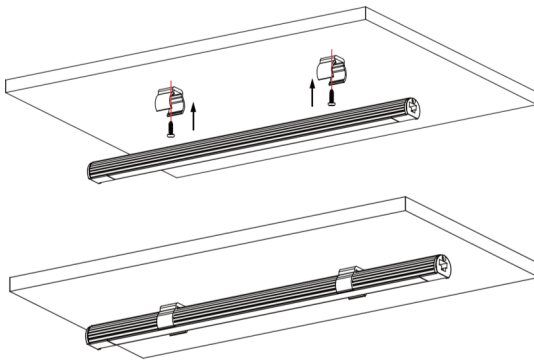


CAUTION - To reduce the risk of fire, electric shock, or injury to persons:

- Use only Class 2 power supply to power the light fixture.
- Use only insulated staples or plastic ties to secure cords.
- Route and secure cords so that they will not be pinched or damaged when the cabinet is pushed to the wall.
- Not intended for recessed installation in ceilings, or soffits.

INSTALLATION



Step 1

Mount the mounting brackets to the mounting surface by included tapping screws.

Step 2

Push the light strip onto mounting brackets. The angle of the light strip can be fine-tuned by rotating the strip housing.

Step 3

Connect the power input cord to the light strip. In the event of daisy-chaining, use the daisy-chain cord (sold separately) to connect fixtures.

Note: Total daisy-chain fixture length cannot exceed 108".

Step 4

Connect the power input cord to the power supply (sold separately). Follow the power supply instructions to connect it to a power source.

This product is warranted to be free of defects in material and workmanship for three years.