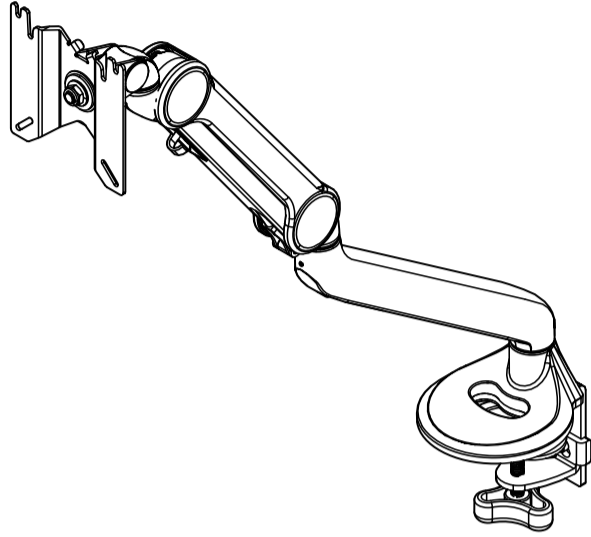


Installation Instructions



Single Monitor Arm



CLAMP SCREWS ARE RATED AT 83 in. lb OF TORQUE. PLEASE USE ALLEN WRENCH PROVIDED IN HARDWARE PACK TO FASTEN SCREWS SNUG FOR INSTALLATION.

MA-01-1C

VERSION 1.0 (E-M)

Please read the instructions and check package contents prior to the installation.

Parts and Tools Check List

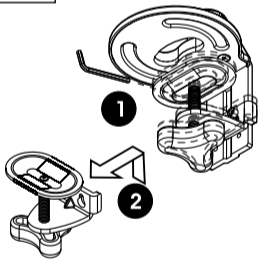
01		X1	03		X1
02		X1	04		X1
05		X1	07		X1
06		X4	08		X1
			09		X1
			10		X1

Installation

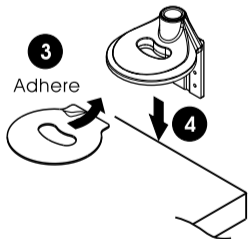
Clamp Installation

The monitor arm clamp fits worksurface thickness from 0.4" - 2.5". Please select one of the lower clamp positions based on the surface thickness.

Step 1

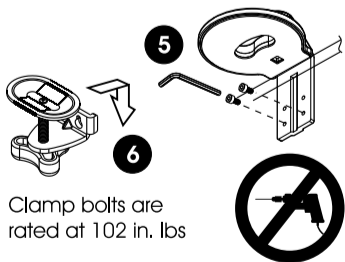


- Temporary remove the lower clamp by loosening the bolts and slide the clamp out from the keyholes



- Adhere the non-slip pad to the bottom of monitor arm base

- Set the monitor arm base on the mounting surface

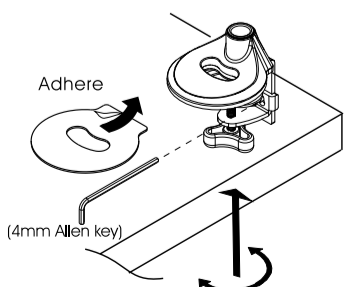


- Select the lower clamp position based on the thickness of worksurface (see below for measurements)

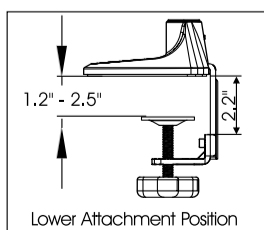
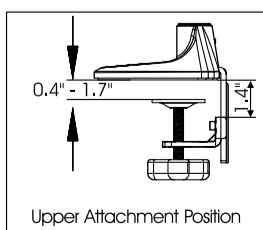
- Relocate the bolts when necessary

- Reattach the lower clamp to the base clamp

- Tighten the bolts



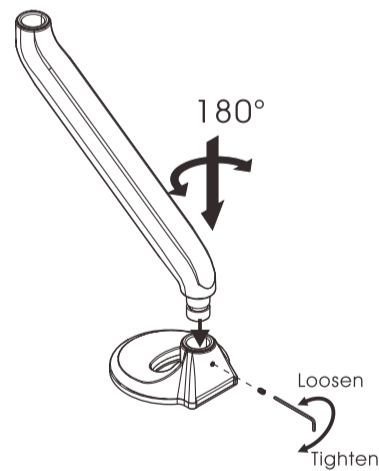
Clamp bolts are rated at 102 in. lbs



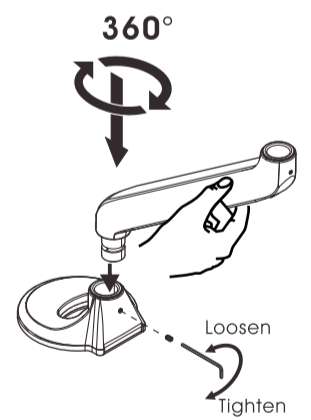
Lower Attachment Position

Step 2

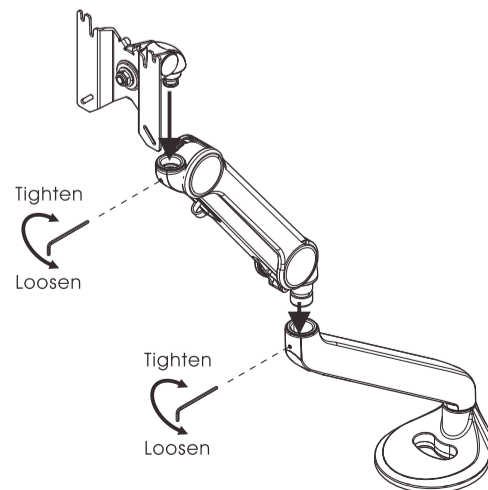
To achieve **180°** Lock-Out function: Fully tighten the screw to the base with 2mm Allen Key, then back out one full turn.



To achieve **360°** Lock-Out function: Turn the arm to the opposite side of the base, and fully tighten the screw to the base with 2mm Allen Key, then back out one full turn.

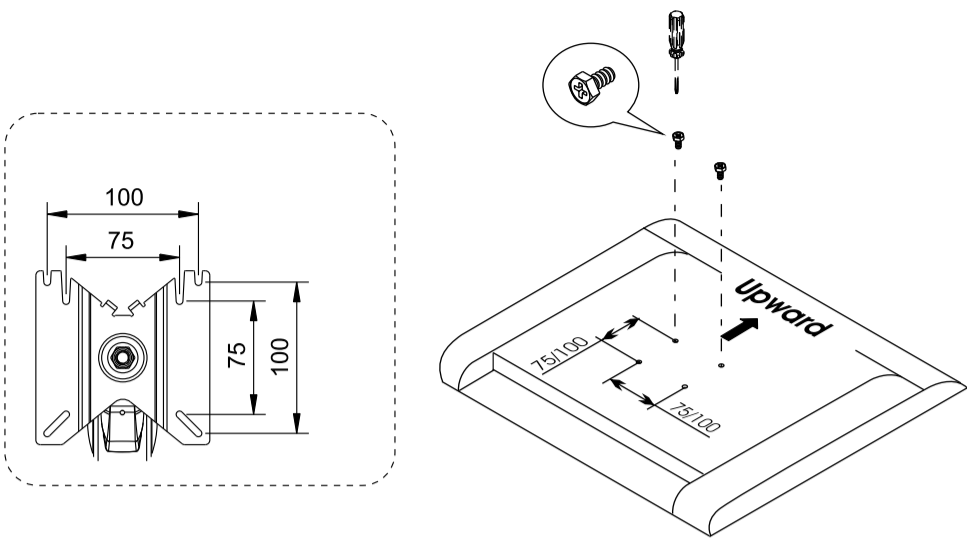


Fasten the screw with 2mm Allen Key, and adjust the tightness of rotation according to your demand.



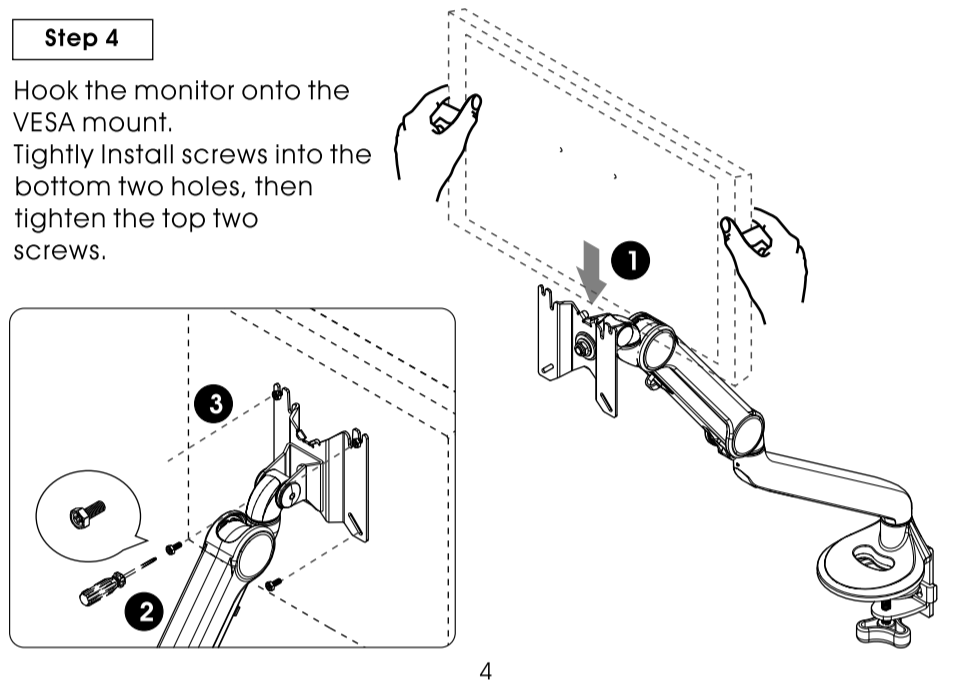
Step 3

Attach the screws (Do not fully tighten) to the top two holes on the back of the monitor.



Step 4

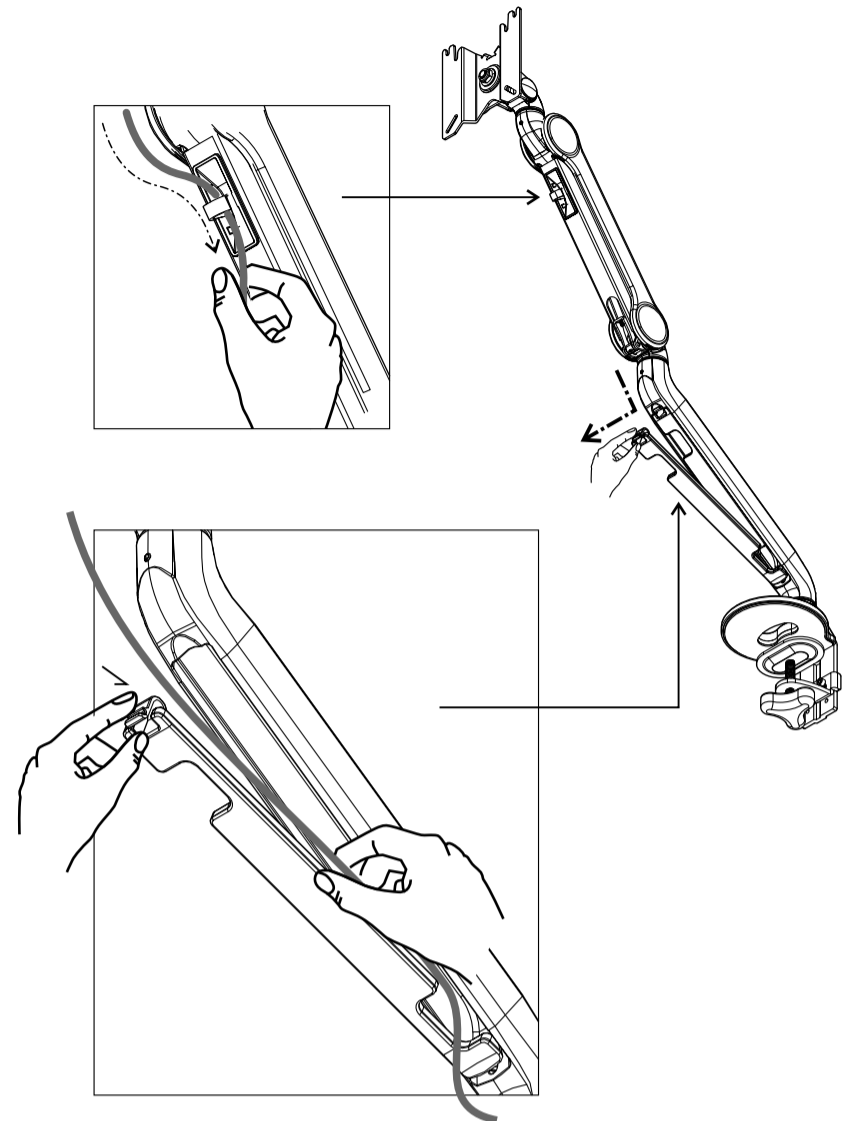
Hook the monitor onto the VESA mount. Tightly install screws into the bottom two holes, then tighten the top two screws.



4

Step 5

Cable management

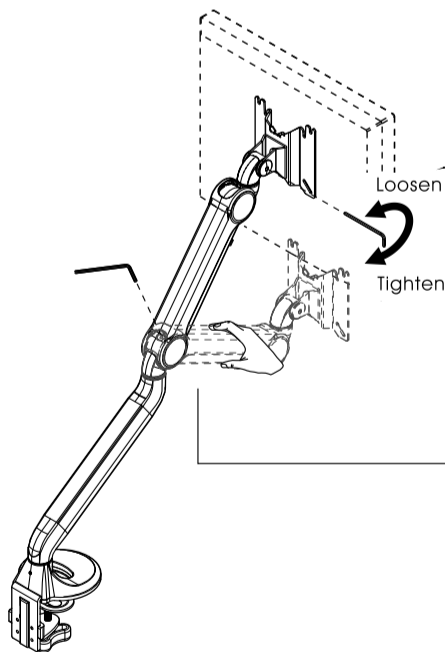


5

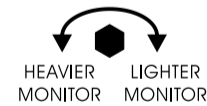
Tension Adjustment

Caution:
Support arm while adjusting tension.

Adjustment:
Use the 5mm Allen key provided to adjust the tension to prevent unexpected monitor tilting. Twist the Allen key in a clockwise direction for heavier monitors; counterclockwise for lighter monitors.



Use the 4mm Allen key provided to adjust the tension to counterbalance the weight of the monitor. Twist the Allen Key in a clockwise direction for lighter monitors; counterclockwise for heavier monitors.



Load Capacity:
4.4 ~ 19.8 lbs (2~9 kg)

- Product loading capacities are based on monitors' center of gravity less than 3cm (1-3/16") from the end of the VESA interface.
- Loading capacity could be reduced if monitor size is greater than 26" or depth is greater than 5.5cm (2-11/64").

6

National Lighting

www.NationalLighting.com

Please call (888) 428-6886 or email customerservice@nationallighting.com for further assistance in installation.

7