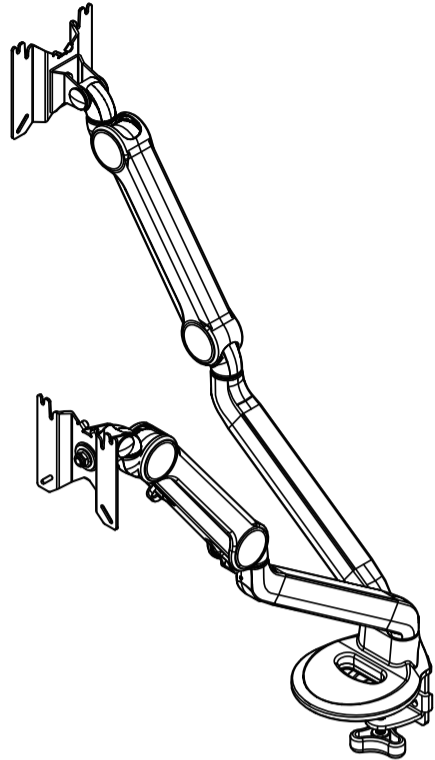


Installation Instructions

National Lighting®

Dual Monitor Arm



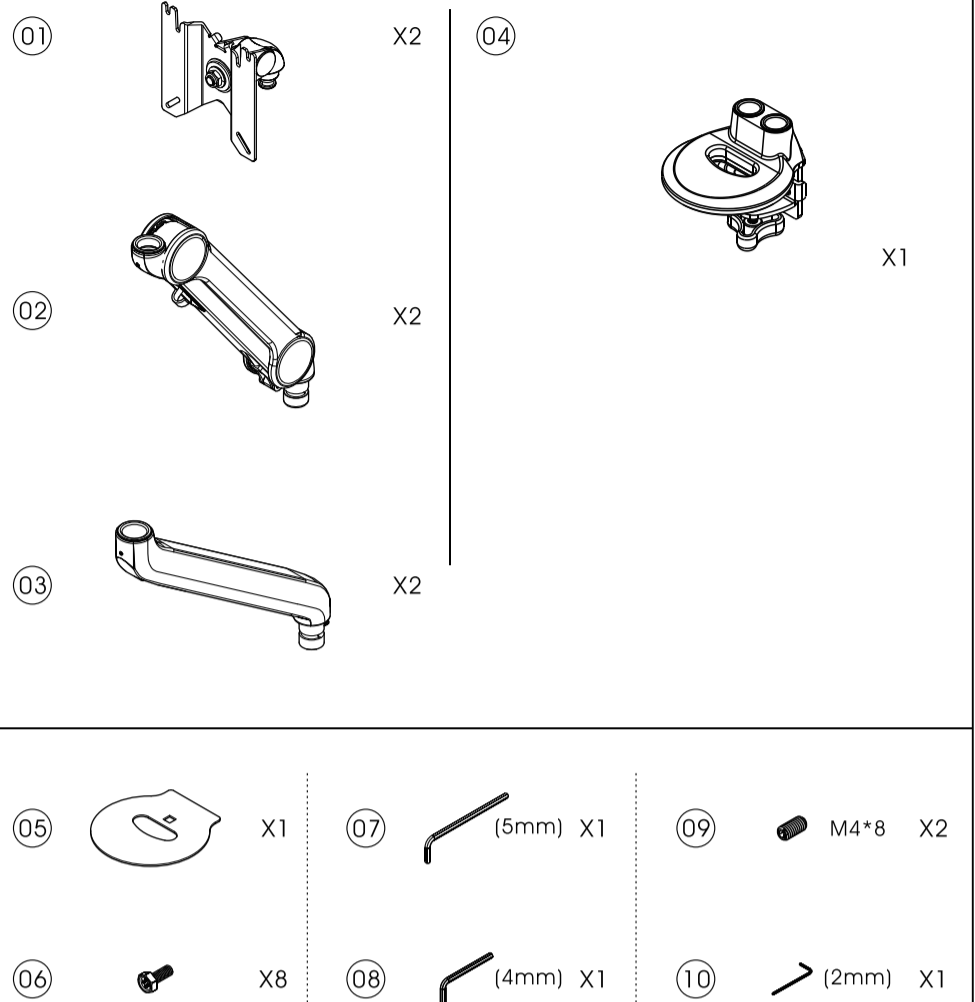
CLAMP SCREWS ARE RATED AT 83 in. lb OF TORQUE. PLEASE USE ALLEN WRENCH PROVIDED IN HARDWARE PACK TO FASTEN SCREWS SNUG FOR INSTALLATION.

MA-02-2C

VERSION 1.0 (E-M)

Please read the instructions and check package contents prior to the installation.

Parts and Tools Check List



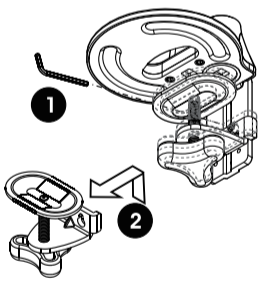
1

Installation

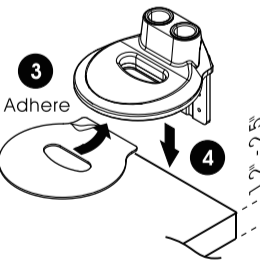
Clamp Installation

The monitor arm clamp fits worksurface thickness from 0.4" - 2.5" (10.2 - 63.5mm). Please select one of the lower clamp positions based on the surface thickness.

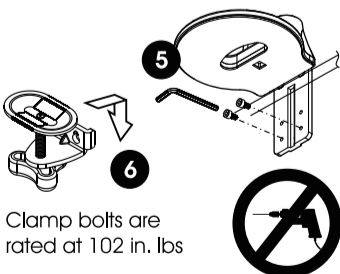
Step 1



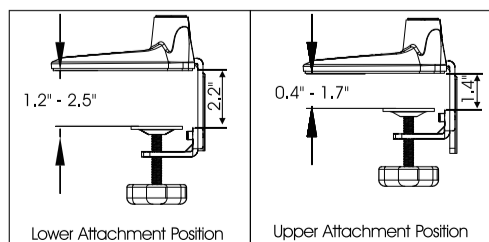
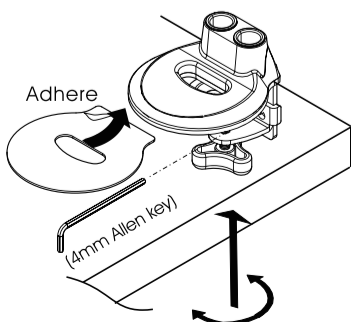
- Temporary remove the lower clamp by loosening the bolts and slide the clamp out from the keyholes



- Adhere the non-slip pad to the bottom of monitor arm base
- Set the monitor arm base on the mounting surface



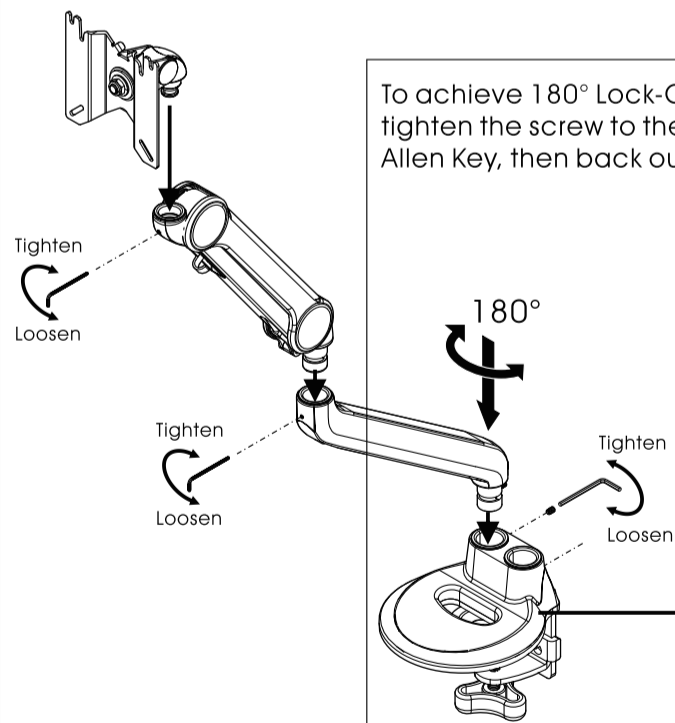
- Select the lower clamp position based on the thickness of worksurface (see below for measurements)
- Relocate the bolts when necessary
- Reattach the lower clamp to the base clamp
- Tighten the bolts



2

Step 2

Fasten the set screws with 2mm Allen Key, and adjust the tightness of rotation according to your demand.

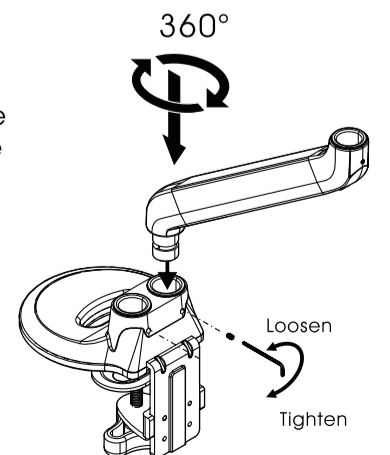


To achieve 180° Lock-Out function: Fully tighten the screw to the base with 2mm Allen Key, then back out one full turn.



Note:

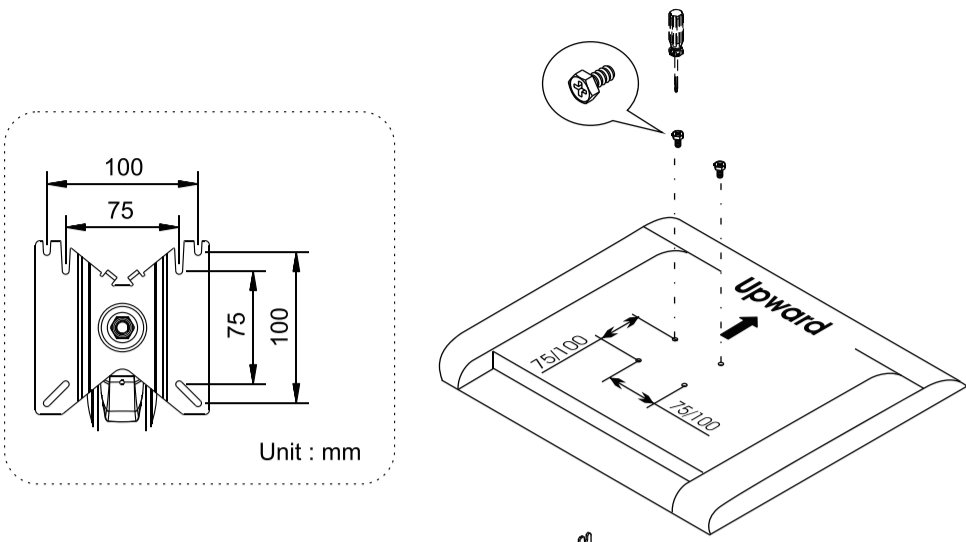
To achieve 360° Lock-Out function: Turn the arm to the opposite side of the base, and fully tighten the screw to the base with 2mm Allen Key, then loosen the screw by one full turn.



3

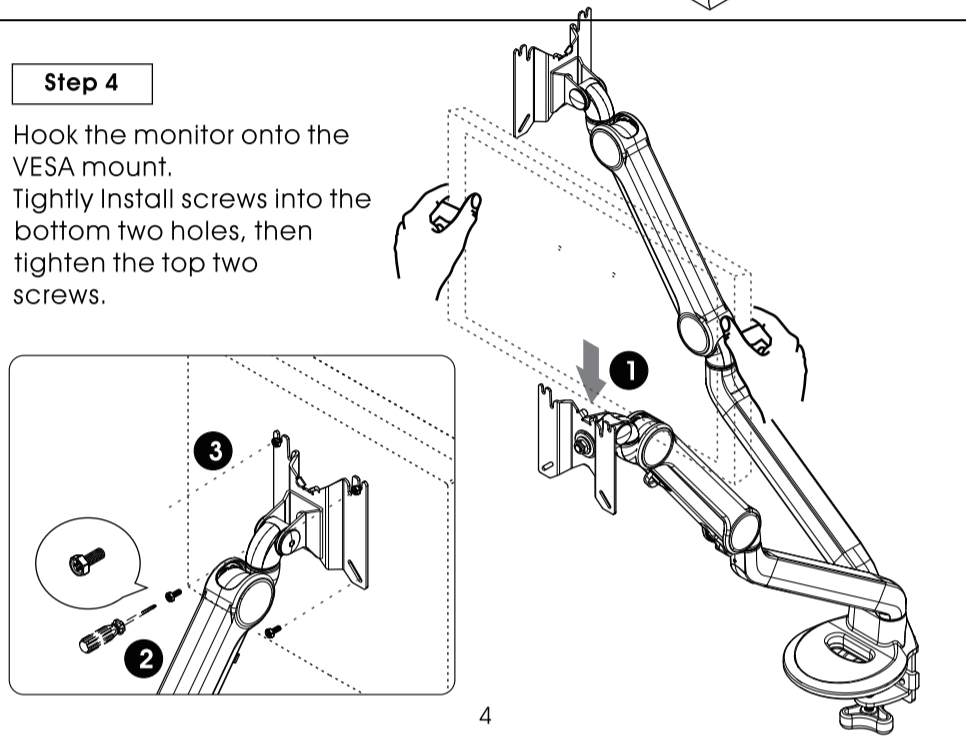
Step 3

Attach the screws (Do not fully tighten) to the top two holes on the back of the monitor.



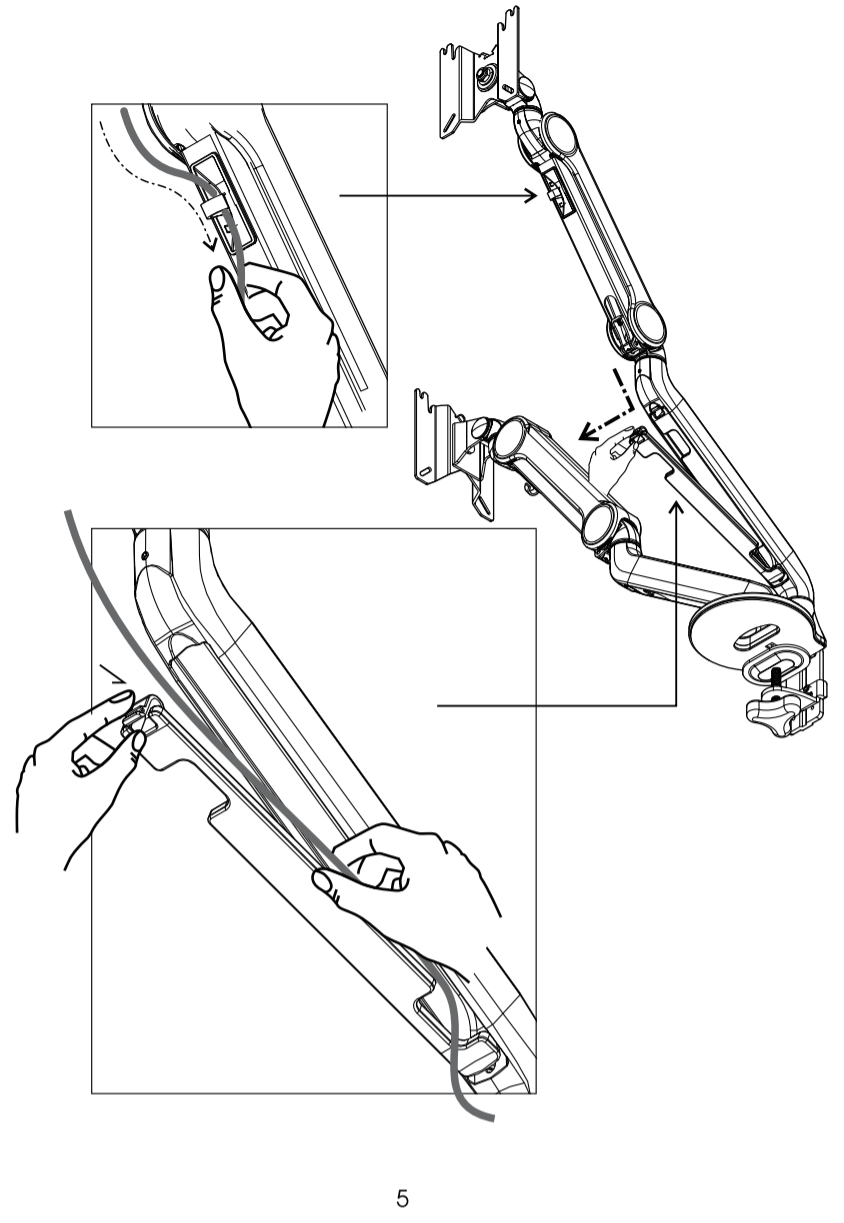
Step 4

Hook the monitor onto the VESA mount. Tightly Install screws into the bottom two holes, then tighten the top two screws.



Step 5

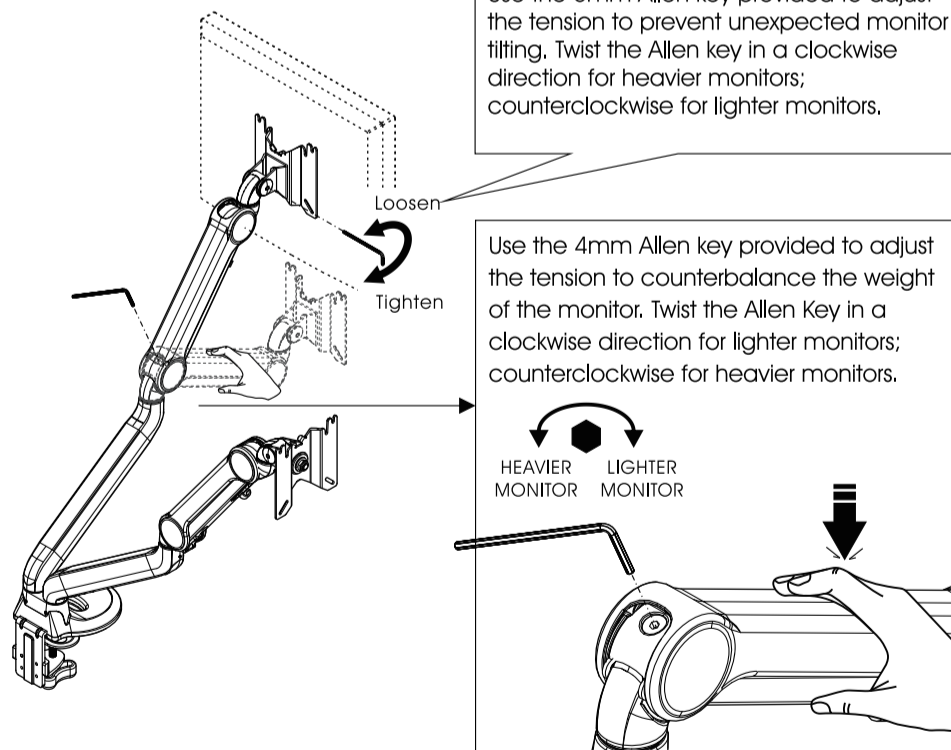
Cable management



Tension Adjustment

Caution:
Support arm while adjusting tension.

Adjustment:
Use the 5mm Allen key provided to adjust the tension to prevent unexpected monitor tilting. Twist the Allen key in a clockwise direction for heavier monitors; counterclockwise for lighter monitors.



Load Capacity:
4.4 ~ 19.8 lbs (2~9 kg)

- Product loading capacities are based on monitors' center of gravity less than 3cm (1-3/16") from the end of the VESA interface.
- Loading capacity could be reduced if monitor size is greater than 26" or depth is greater than 5.5cm (2-11/64").

National Lighting

www.NationalLighting.com

Please call (888) 428-6886 or email customerservice@nationallighting.com for further assistance in installation.