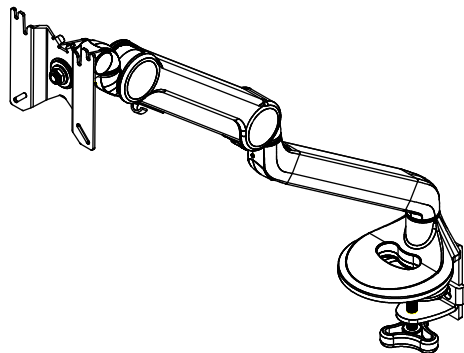


Single Monitor Arms (MA-01-1C):

- Weight Capacity 4.4~19.8 lbs (2~9 kg)
- Tilt +90° , -35°
- Rotation 360°
- Material Aluminum Alloy
- Finish Options Black, Silver, White
- Monitor Mounting VESA mount
(75 x 75 or 100 x 100 mm)
- Desktop Mounting Clamp type
- Pivot VESA mount +/-128°
- Extension 20.27" (515 mm)
- Lift Range 7.36"-18.39" [11.03"] (280 mm)
- Fits Desk Thickness 0.4"~2.56" (10mm~65mm)
- Compatible monitor size Up to 34"



REV	DATE	DRAWN	APPROVED	DESCRIPTION					
				TOLERANCE (mm [INCH])		DRAWN	YGY	DATE	02/02/2022
				[mm]	[INCH]	CHECKED	JBX	DATE	02/02/2022
				X ±2.5	XX ±0.1	APPROVED		DATE	
				XX ±0.8	XXX ±0.03	PN	MA-01-1C		
				X.XX ±0.25	X.XXX ±0.010	DRAWING#		REV	
				SCALE	VIEW	UNIT	SHEET	DRAWING#	
				1:1		mm[INCH]	1 OF 1	REV	
								A	

National Lighting[®]

www.nationallighting.net