



## INSTALLATION INSTRUCTIONS

Model: TV11100-152-4.2A-TR-BK/SA/WH

Rating: 120V 60Hz 15A

Output: One 120V AC tamper resistant power outlet,  
5V DC 4.2A USB charger with 2 charging ports

### CAUTION:

**To prevent the risk of fire and electric shock, please be sure to read all instructions before installing or using this unit.**

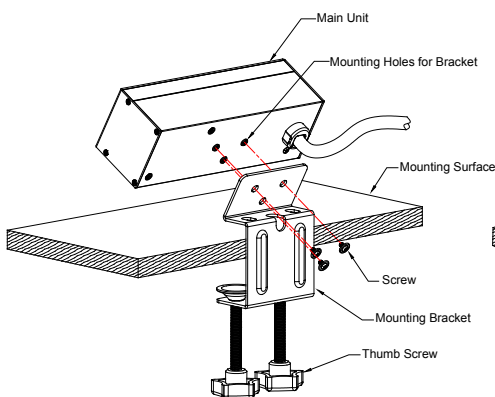
### WARNING:

*To reduce the risk of fire, electric shock or injury to persons:*

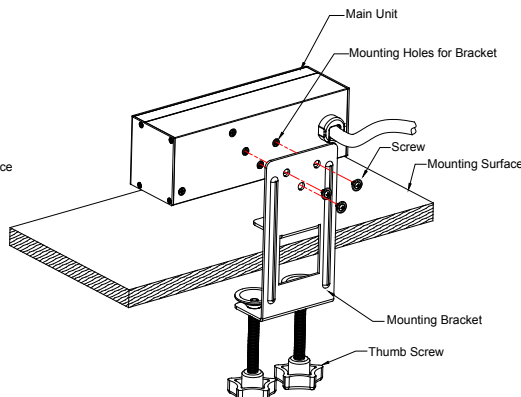
- For indoor use only
- Do not use with extension cords
- Do not plug a device or devices into receptacles that exceed a total of 15A (1800 watts)
- Do not open or attempt to open unit for any reason

### INSTALLATION:

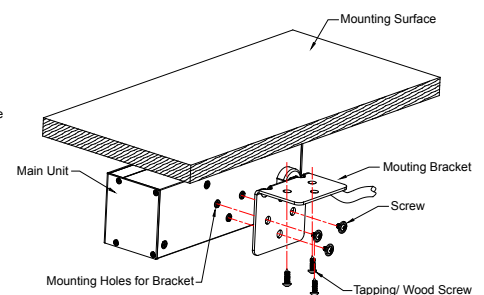
- Attach mounting bracket to the main unit using three Phillips screws (included)
- For table-top mounting options, open the clamp on the bracket by turning the thumb screws counterclockwise
- Slide the clamp onto the edge of mounting surface and turn the thumb screws clockwise until the product is fully secured to it. For under-table mounting option, secure the product to the bottom of the mounting surface with three tapping or wood screws (not included)
- Insert power plug into a grounded outlet



TA: Table-Top (Angled)



TT: Table-Top (Vertical)



UT: Under-Table

For further assistance please contact National Lighting Corp. at (562)921-0056