



INSTALLATION INSTRUCTIONS

Model: TV21100-152-TA-4.2A-TR-BK
Rating: 120V 60Hz 15A
Output: Two 120V AC tamper-resistant AC receptacles,
5V DC 4.2A USB charger with 2 charging ports

CAUTION:

To prevent the risk of fire and electric shock, please be sure to read all instructions before installing or using this unit.

WARNING:

To reduce the risk of fire, electric shock or injury to persons:

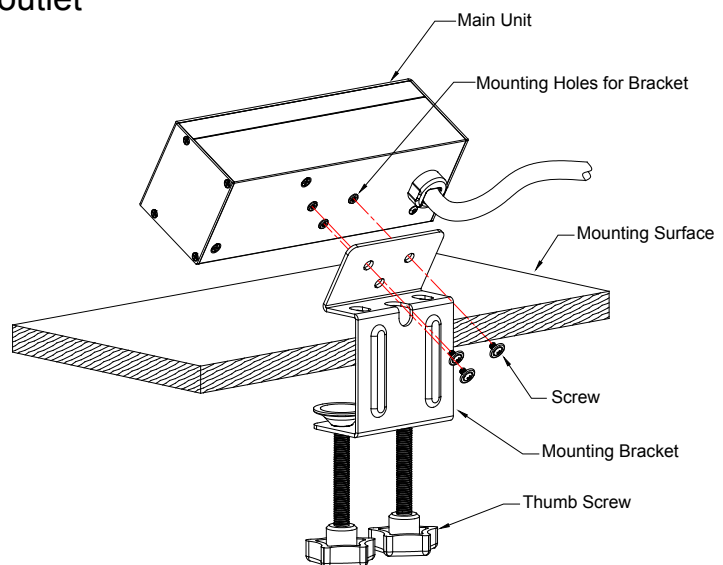
- For indoor use only
- Do not use with extension cords
- Do not plug a device or devices into receptacles that exceed a total of 15A (1800 watts)
- Do not open or attempt to open unit for any reason

INSTALLATION:

- Attach mounting bracket to the main unit using three Phillips screws (included)
- Open the clamp on the bracket by turning the thumb screws counterclockwise
- Slide the clamp onto the edge of mounting surface and turn the thumb screws clockwise until the product is fully secured to it.
- Insert power plug into a grounded outlet

WARRANTY:

National Lighting warrants this product will be free from defects in material or workmanship for 3 years from the date of purchase.



TA: Table-Top (Angled)

For further assistance please contact National Lighting Corp. at (562)921-0056