
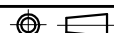


Specifications:

- (2) Tamper Resistant outlets
- 5V DC 4.2A USB changer with 2 charging ports
- 10' 14AWG*3C power cord
- Rating:125V 60Hz 15A

REV	DATE	DRAWN	APPROVED	DESCRIPTION				
 www.nationallighting.com				TOLERANCE (mm [INCH])				
				<table border="1"> <tr> <td>[mm]</td> <td>[INCH]</td> </tr> <tr> <td>X. ±2.5</td> <td>X.X ±0.1</td> </tr> <tr> <td>X.X ±0.8</td> <td>X.XX ±0.03</td> </tr> <tr> <td>X.XX ±0.25</td> <td>X.XXX ±0.010</td> </tr> </table>	[mm]	[INCH]	X. ±2.5	X.X ±0.1
[mm]	[INCH]							
X. ±2.5	X.X ±0.1							
X.X ±0.8	X.XX ±0.03							
X.XX ±0.25	X.XXX ±0.010							
SCALE		VIEW	UNIT	SHEET				
1:1			mm[INCH]	1 OF 1				
DRAWN: YGY CHECKED: JBX APPROVED: [Signature] PN: TV22100-152-M-4.2A-TR				DATE: Apr 23th 2022 DATE: Apr 23th 2022 DATE: [Blank] DRAWING# REV: A				