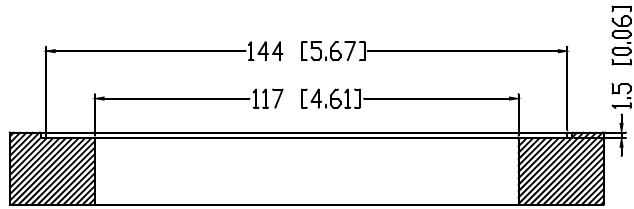



Specifications:

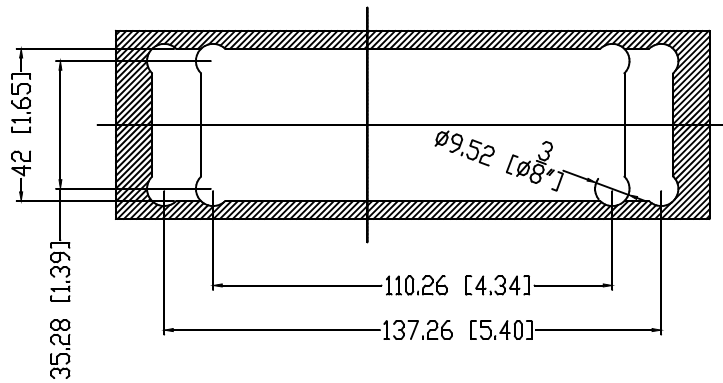
- (2) Tamper Resistant outlets
- DC 5V 4.5A USB CHARGER (1 USB-A 2.1A + 1 USB-C 2.4A PORTS)
- 10' 14AWG\*3C power cord
- Rating:125V 60Hz 15A

REV	DATE	DRAWN	APPROVED	DESCRIPTION				
 www.MOD-PLS.com				TOLERANCE (mm [INCH])				
				<table border="1"> <tr> <td>[mm]</td> <td>[INCH]</td> </tr> <tr> <td>X. ±2.5</td> <td>XX ±0.1</td> </tr> <tr> <td>X.X ±0.8</td> <td>X.XX ±0.03</td> </tr> <tr> <td>X.XX ±0.25</td> <td>X.XXX ±0.010</td> </tr> </table>	[mm]	[INCH]	X. ±2.5	XX ±0.1
[mm]	[INCH]							
X. ±2.5	XX ±0.1							
X.X ±0.8	X.XX ±0.03							
X.XX ±0.25	X.XXX ±0.010							
SCALE	VIEW	UNIT	SHEET	DRAWN	YGY	DATE	Apr. 11th 2023	
1:1		mm[INCH]	1 OF 1	CHECKED	JBX	DATE	Apr. 11th 2023	
				APPROVED		DATE		
				PN	TV22100-152-M-4.5AG-TR			
				DRAWING#			REV	
				C-TV2210020220423002			A	

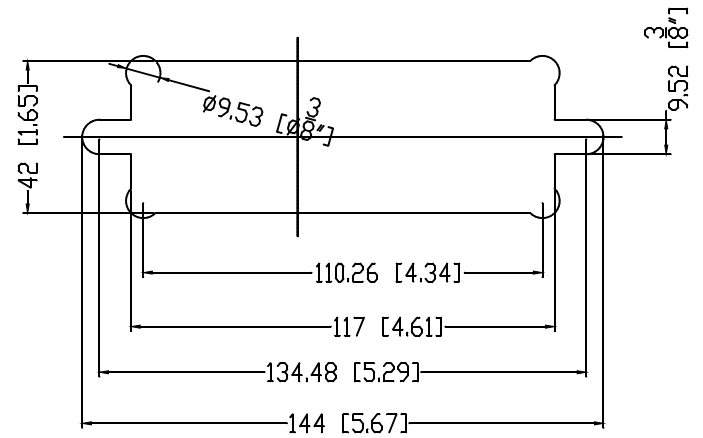
# CUTOUT FOR BOLT-ON FACEPLATE



  
 Install screw: KA3\*30mm


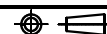


# CUTOUT FOR BOLT-ON FACEPLATE



REV	DATE	DRAWN	APPROVED	DESCRIPTION

 <b>MOD</b> POWER & LIGHTING SOLUTIONS www.MOD-PLS.com	TOLERANCE (mm [INCH])		DRAWN	YGY	DATE	Apr. 11th 2023	
	mm	INCH	CHECKED	JBX	DATE	Apr. 11th 2023	
	X. ±2.5	XX ±0.1	APPROVED		DATE		
	XX ±0.8	XXX ±0.03	PN	TV22100-152-W CUTOUT FOR FACEPLATE			
XXX ±0.25	X.XXX ±0.010	SCALE	VIEW	UNIT	SHEET	DRAWING#	REV
1:1		mm [INCH]			1 OF 1	C-TV2210020220423006	A